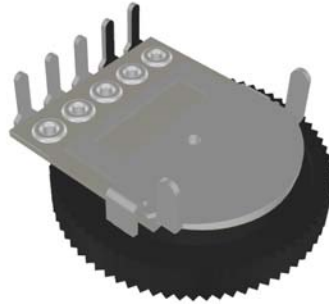
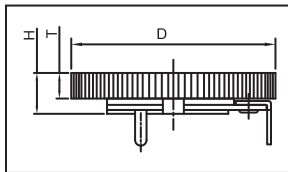


F-1001 系列 拇指驱动型电位器
F-1001 Series Thumbwheel Driving Potentiometer

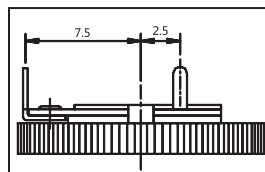


Knob dimension

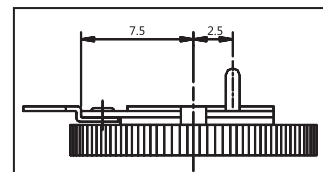


Terminal Configuration

N: Top Adjust, PC Pins



P: Side Adjust, PC Pins

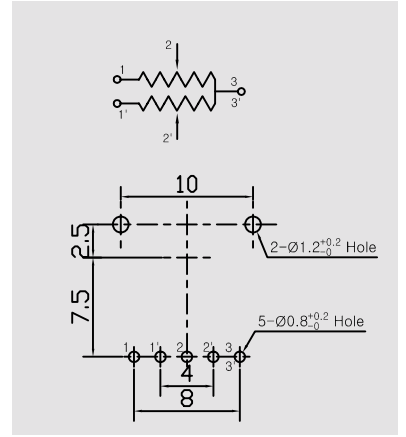
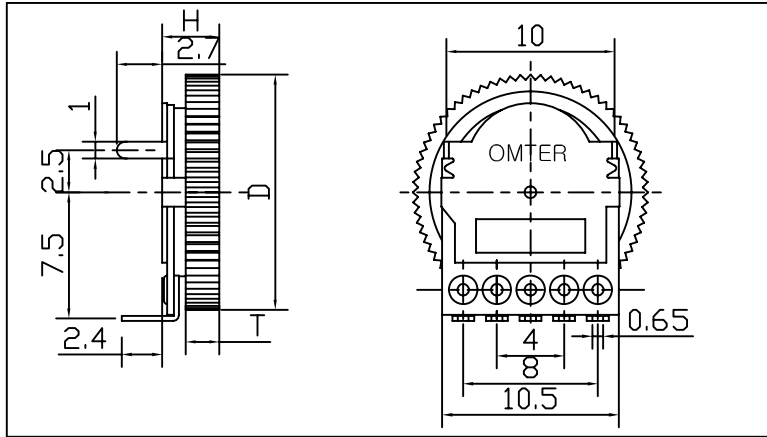


Code	1	2	3	4	5	6	7	8	9	0
D	14	14	14	16	16	16	18	18	20	20
T	1.0	2.0	2.8	2.0	2.65	2.8	2.0	2.8	2.0	2.8
H	2.4	3.4	4.2	3.4	4.1	4.2	3.4	4.2	3.4	4.2

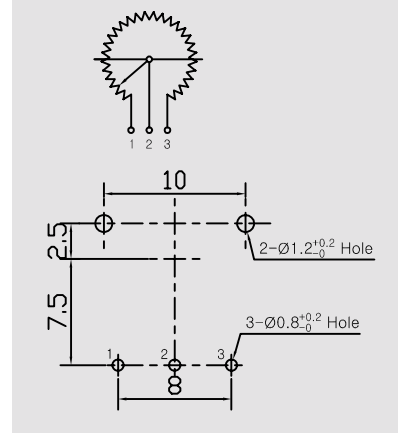
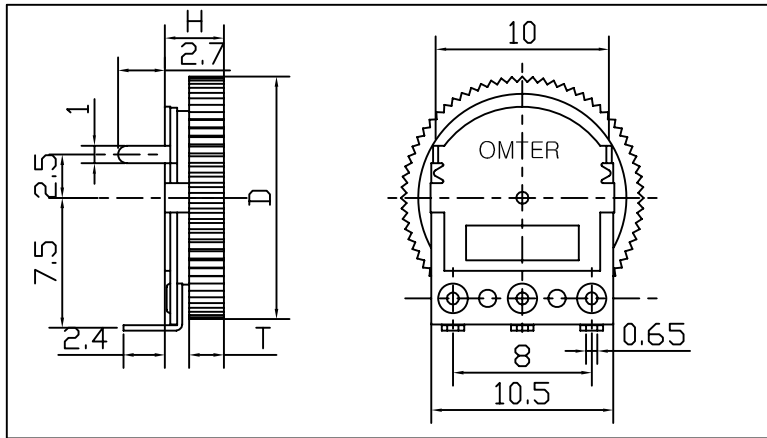
参数特性 General Specification:

MAIN SPECIFICATION	
全阻值: Total Resistance	500Ω- 1MΩ
全阻值公差 Total Resistance tolerance:	±20%
抵抗变化特性: Resistance Tape	A,B,C,D
最大工作电压: Max. operation voltage	AC 50V, DC12V
额定功率: (W) Ratings Power	0.05W
杂音: Noise	Less than 100mV
耐电压: Withstanding voltage	1 minute at AC100V
绝缘抵抗: Insulation resistance	More than 100MΩ at DC 100V
残留阻值: Residual Resistance Value	Term.1~2: Less than 20Ω
	Term.2~3: Less than 20Ω
同步误差: Tracking Error	- 40dB~0dB±3dB
MECHANICAL	
全回转角度: Total Rotation Angle	270±5(degree)
旋转力矩: Rotation Torque	10~150 gf.cm
旋转止动强度: Shaft Stop Strength	0.8Kgf.cm Min
推拉强度: push-pull strength	0.5kgf Min Pull:0.2kgf Min
Durable performance	
旋转寿命: Rotational life	10000Cycle

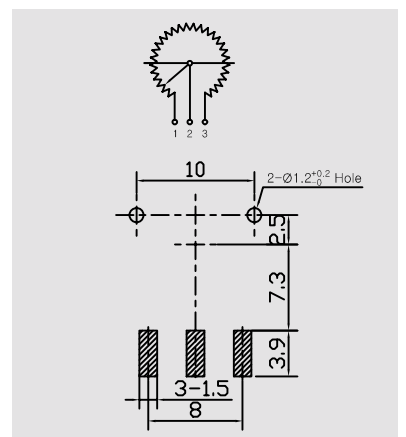
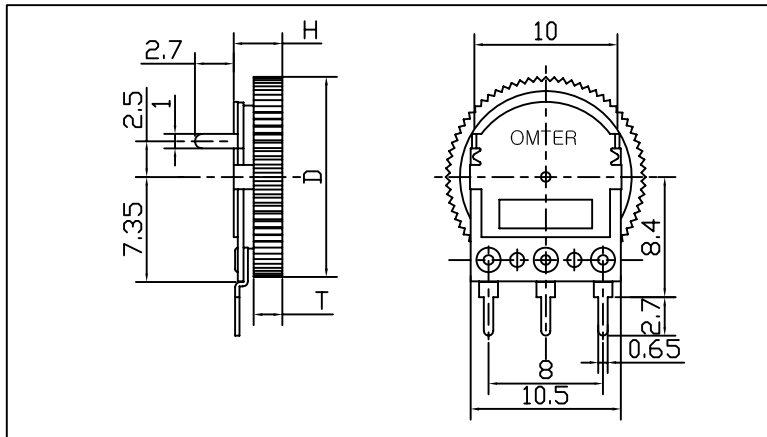
F-1001G-3-W10



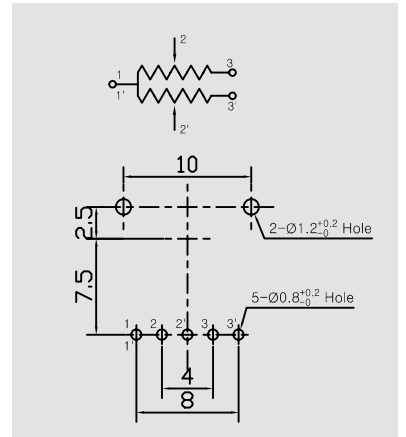
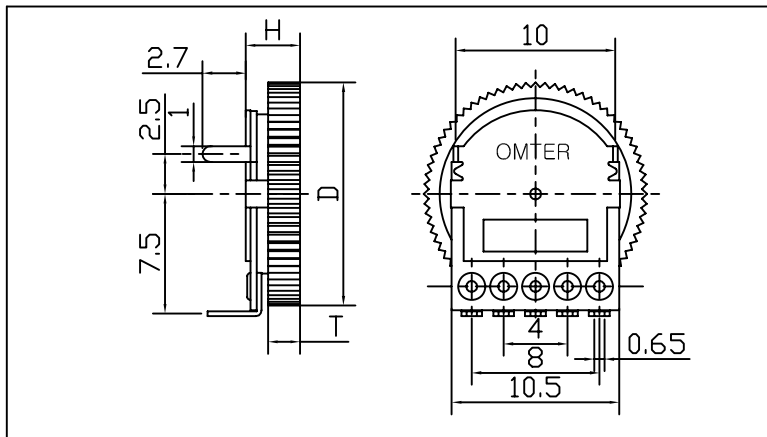
F-1001N



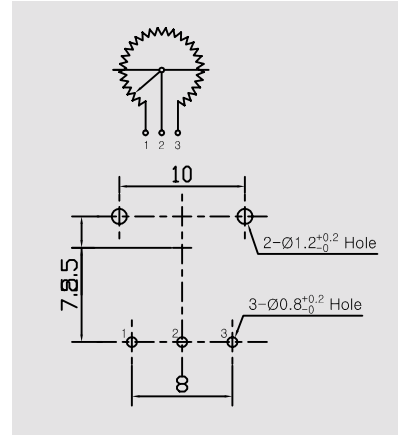
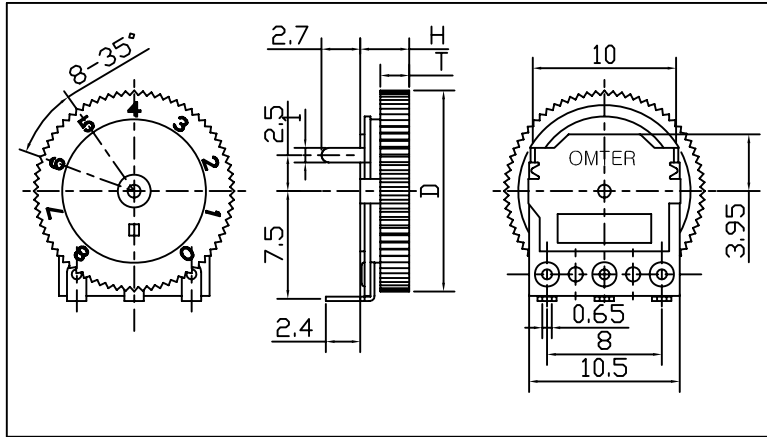
F-1001NP



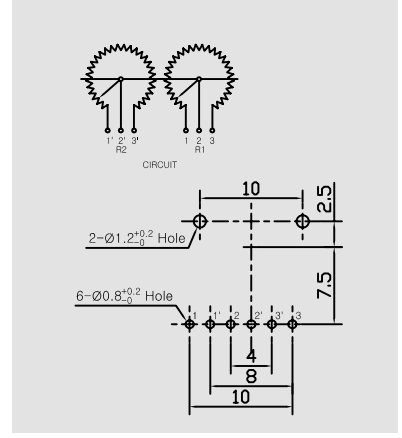
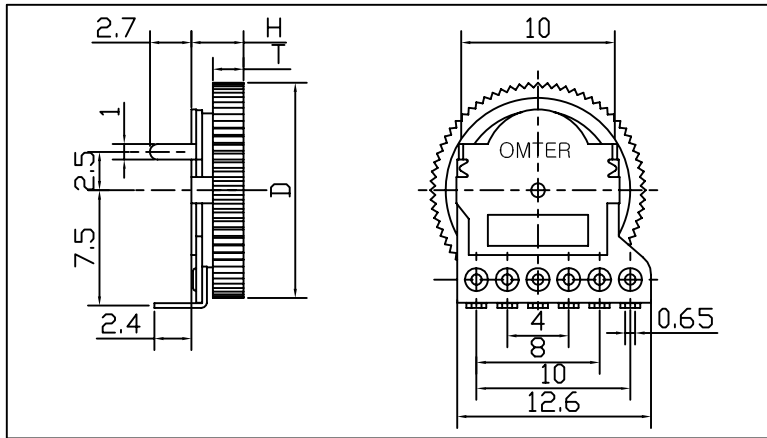
F-1001G



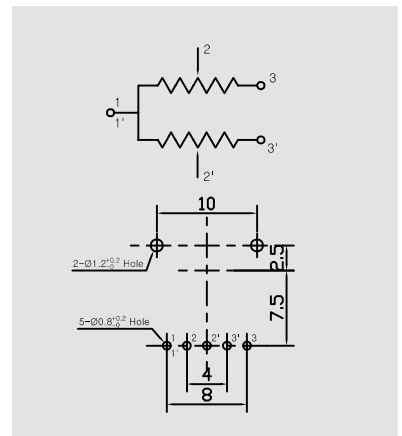
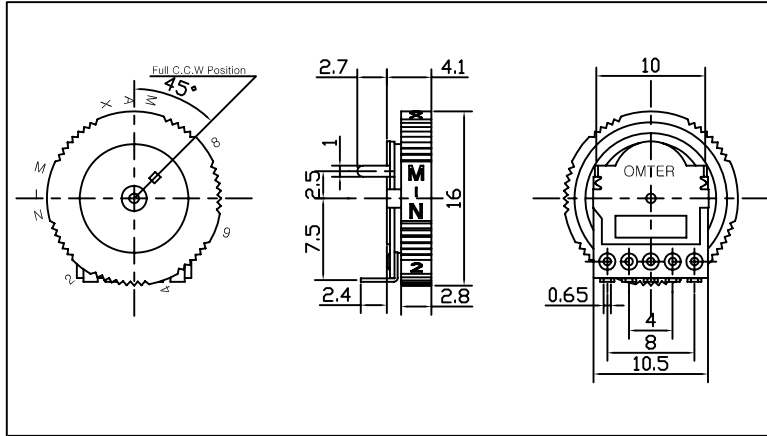
F-1001N-3(R)



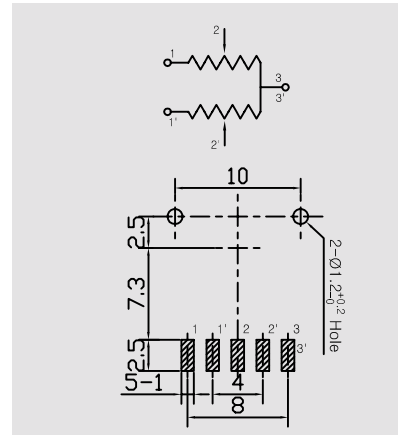
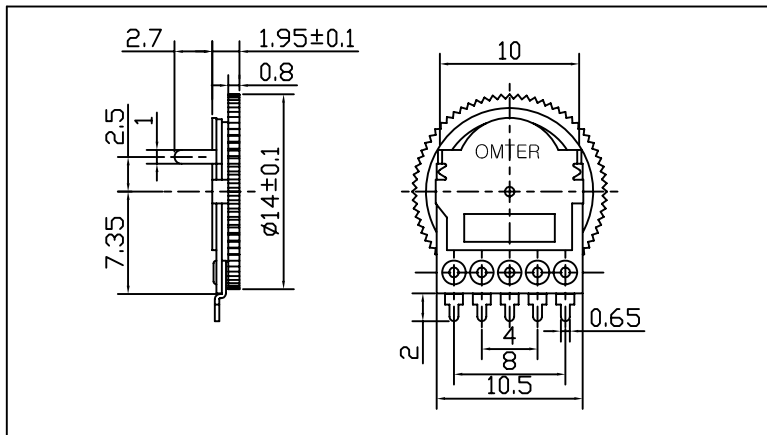
F-1001G-11



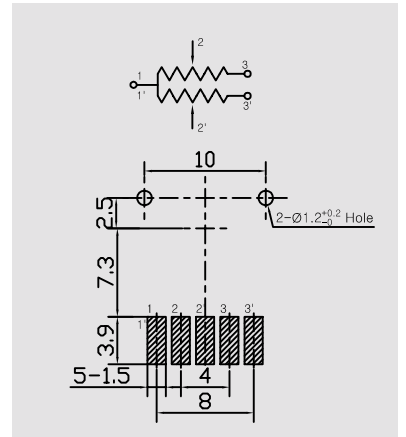
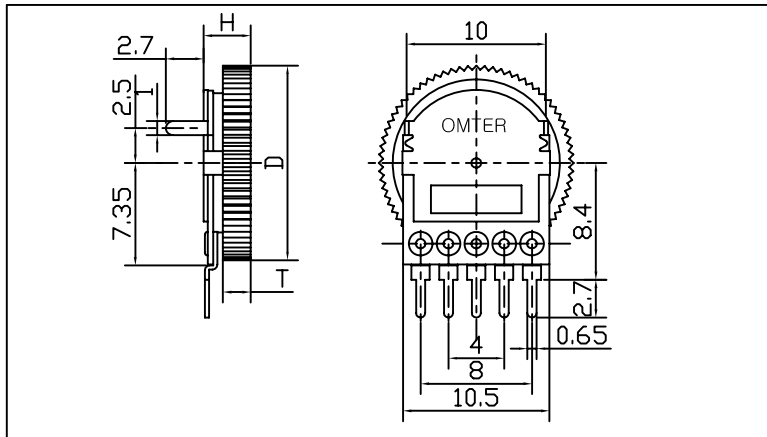
F-1001G-2.8x16-N0-2



F-1001GP-5



F-1001GP



F-1001G-3

