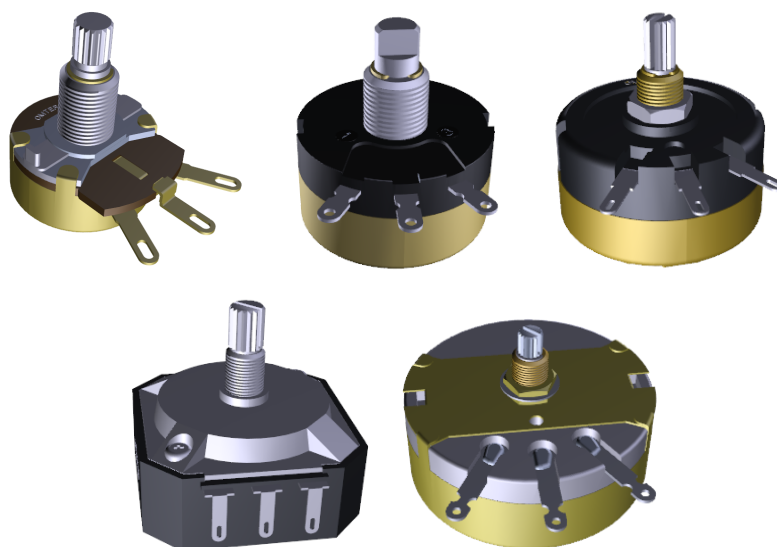


PW系列线绕单圈电位器
PW series Wire-wound Potentiometer



PW24 1 2KΩ ±10% KG 20
Type variety Resistance Resistance Tolerance Shaft Type Shaft Length

Main Performance	PW24	RA28Y	PW40	PW50	PW60
Resistance range	5Ω ~ 2KΩ	5Ω ~ 3KΩ	5Ω ~ 3KΩ	5Ω ~ 500Ω	5Ω ~ 500Ω
Rated power	5W	2W	15W	15W	50W
Rotation angle	300°±5°				
Resistance Taper	B形				
Resistance error	±20 %				
Temperature Range	-10°C~70°C				
Insulation Resistance	≥100MΩ				
Rotation torque	3.5-100mN.m				
Mechanical endurance	30000Cycles				

RA28Y

