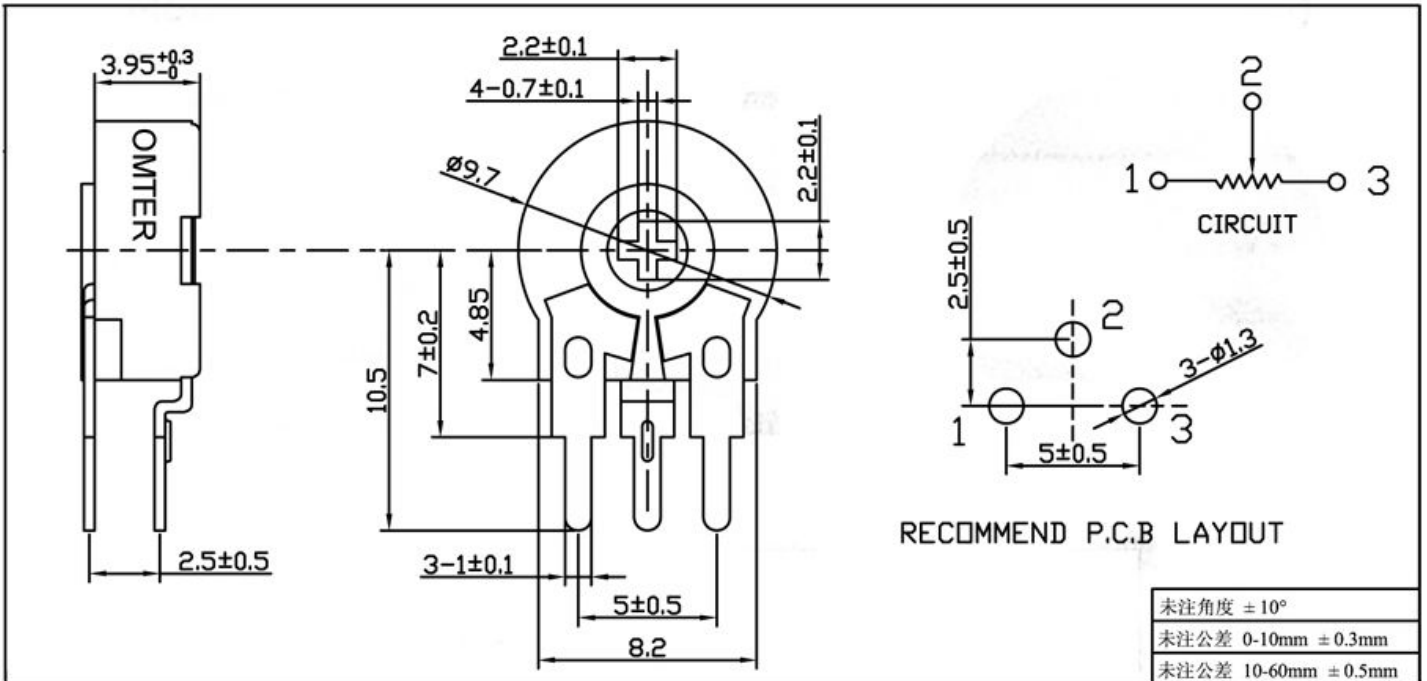


PT103C(5*2.5)

**Feature特点:**

- ◇3 Pins (三端型) ◇Pitch:5x2.5mm (端距:5x2.5mm) ◇Vertical Mount / Horizontal Mount (直立/横调式)
- ◇Cross Slot (十字孔) ◇RoHS Compliant (环保产品, 有RoHS认证)

参数特性General Specification:

标准阻值范围 Standard Resistance Range	200 Ω to 2M Ω
标准阻值公差 Resistance Tolerance	$\pm 30\%$ standard
残留阻值 Residual Resistance	Less than 10 Ω
阻值变化特性 Resistance Taper	B=Linear; A=logarithm; C=Anti - logarithm; B=直线; A=对数; C=反对数;
额定功率 Power Rating	B=0.15W; A,C=0.07W
使用电压 Operating Voltage	B=250VDC; AC=125VDC
旋转寿命 Rotational Life	500 cycle / 10,000 cycle
旋转角度 Rotational Angle	235° $\pm 5^\circ$
扭转力矩 Torque	20 to 200 g.cm
止挡强度 Stop Strength	400g.cm (Min.)
用温度范围 Operating Temperature	-25 $^\circ$ C~ +70 $^\circ$ C
温度特性 Temperature Characteristics	+5 ~ -30 $^\circ$ C change in resistance after 5 hours at 70 $^\circ$ C
湿度特性 Humidity Characteristics	Maximum 20% change in resistance after 500 hours at 40 $^\circ$ C and RH 95% loaded