

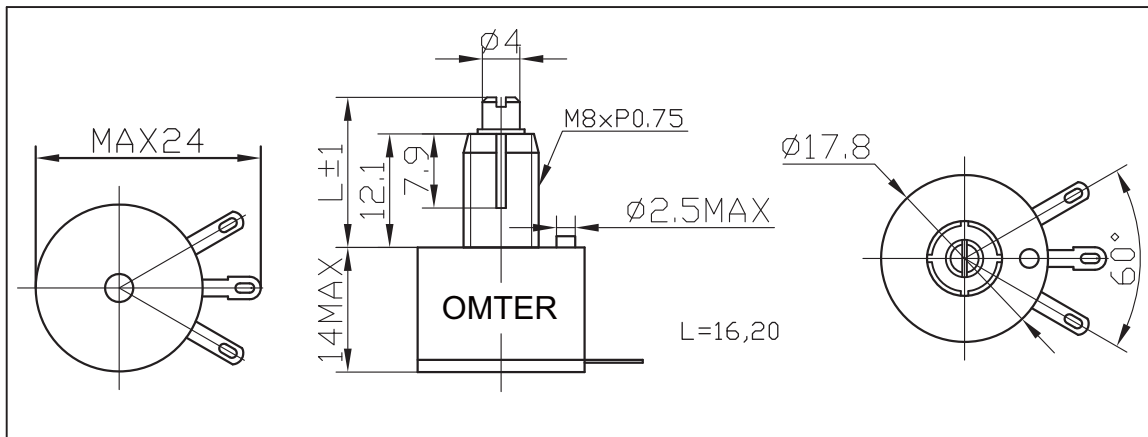
WX 系列 线绕单圈电位器  
WX Series Wire-wound potentiometer



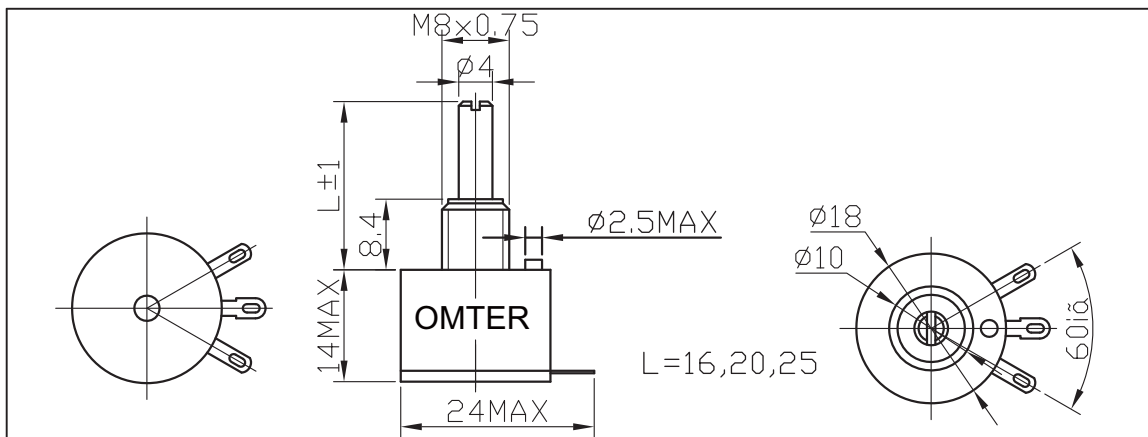
WX13 — 11 — 2KΩ                      ±10% — S — 20  
TYPE                      Resistance                      Resistance Tolerance                      Shaft Type                      Shaft Length

Main performance	WX010	WX13-11	WX13-12	WX14-12
Rated power	1W	1W	1W	3W
Max.operating voltage	100V DC	100V DC	100V DC	200V DC
Resistance range & curve	18Ω----18KΩ	47Ω----10KΩ	47Ω----10KΩ	27Ω----10KΩ
Resistance error	±10%	±5%    ±10%	±5%    ±10%	±5%    ±10%
Rotation torque	4--30mN.m	2.5--20mN.m	2.5--20mN.m	3.5--35mN.m
Total mechanical travel	300°±10°			
Mechanical endurance	10000 Cycles	500 Cycles Locked 5000 Cycles Unlocked		

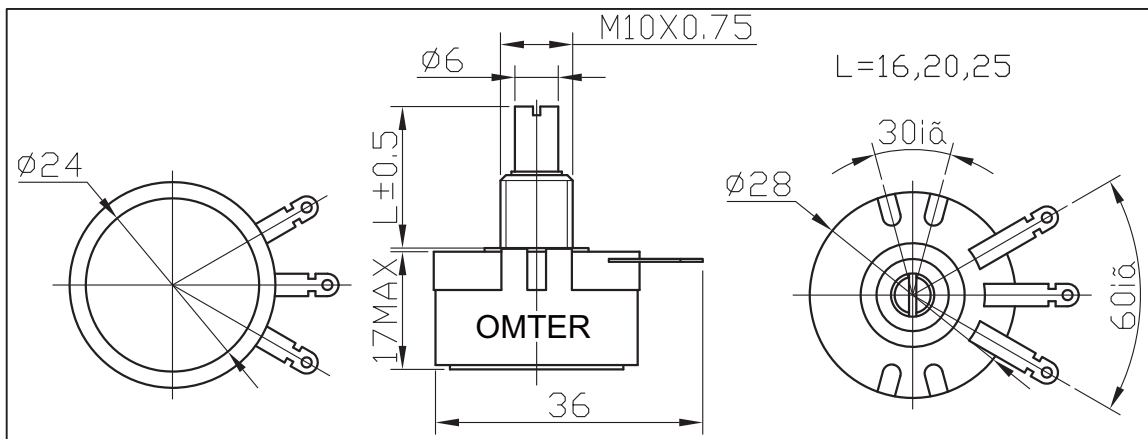
WX13-11



WX13-12



WX010(110)



WX14-12

