

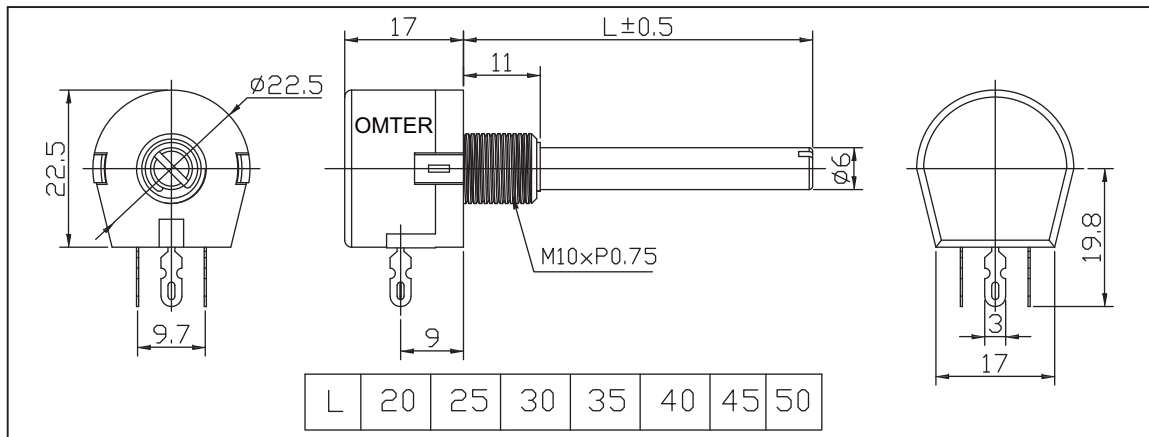
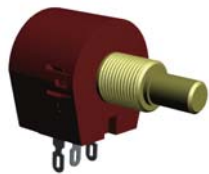
WX 系列 线绕单圈电位器
WX Series Wire-wound potentiometer



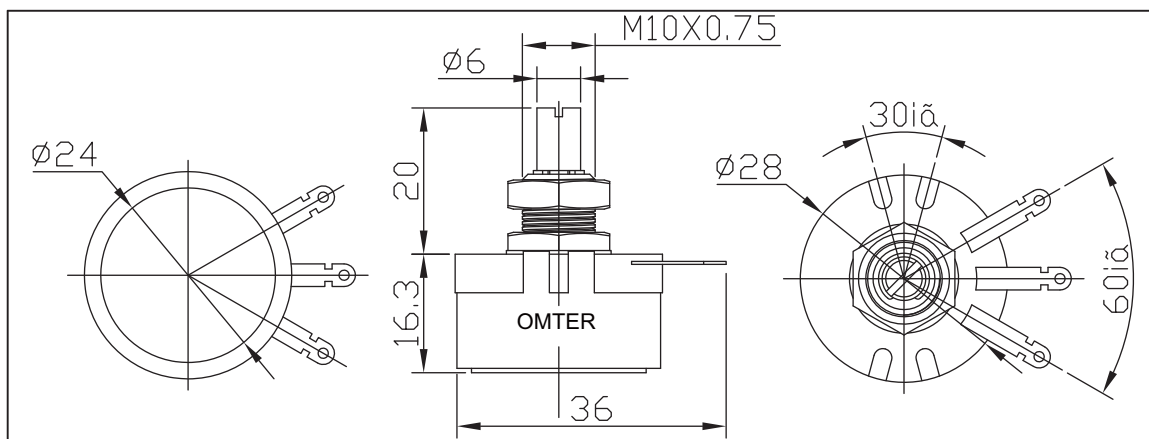
WX23 11 2KΩ ±10% S 20
TYPE Resistance Resistance Tolerance Shaft Type Shaft Length

Main performance	WX23	WX010S	WX010K	WX14
Rated power	2W	1W	1W	3W
Max.operating voltage	100V DC	100V DC	100V DC	200V DC
Resistance range & curve	500Ω----20KΩ	18Ω----18KΩ	18Ω----18KΩ	27Ω----10KΩ
Resistance error	±5% ±10%	±10%	±10%	±5% ±10%
Rotation torque	2.5--20mN.m	4--30mN.m	4--30mN.m	3.5--35mN.m
Total mechanical travel	300°±10°			
Mechanical endurance	10000 Cycles			500 Cycles Locked 5000 Cycles Unlocked

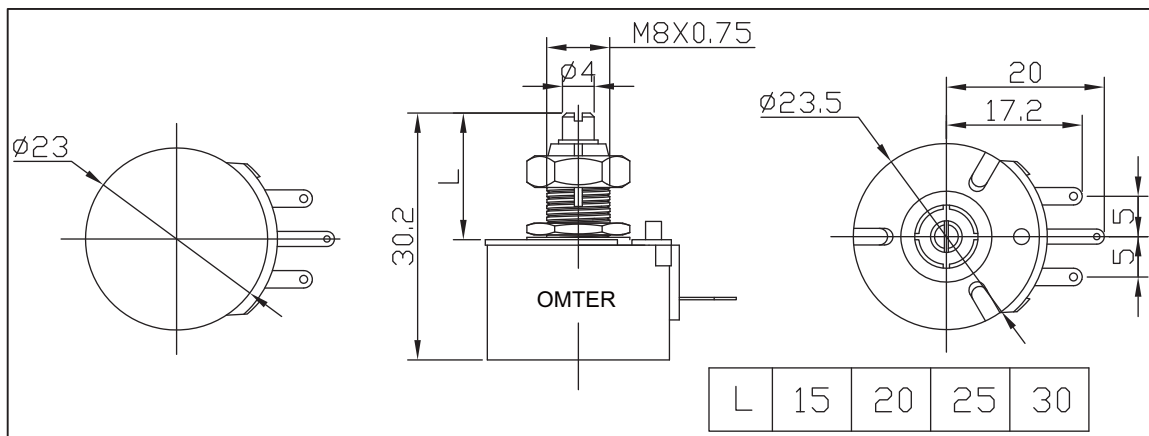
WX23



WX010S



WX14-11



WX010K

