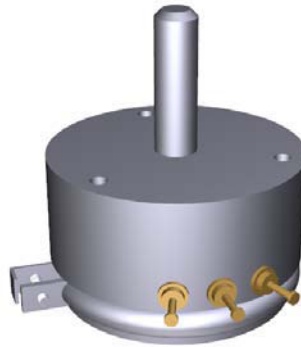


WDD35 系列 角度位移传感器
WDD35 Series Angular displacement sensor



电气性能 Electrical:

标准阻值 Standard Resistance	1K, 2K, 3K, 5K (Ω)
阻值公差 Resistance Tolerance	±15%
独立线性公差 Independent Linearity	0.1%, 0.2%, 0.3%, 0.5%, 1.0%
电气转角 Electrical Travel	345°±2°
额定功耗 Power Rating	2W (@70°C)
电阻温度系数 Resist. Temperature Coefficient Of Wire	≤±400 P.P.M/°C
绝缘电阻 Insulation Resistance	≥1000MΩat 500V.D.C
绝缘耐压 Dielectric Strength	1 minute at 1000V(AC.RMS)
输出平滑性 Output Smoothness	≤±0.10%

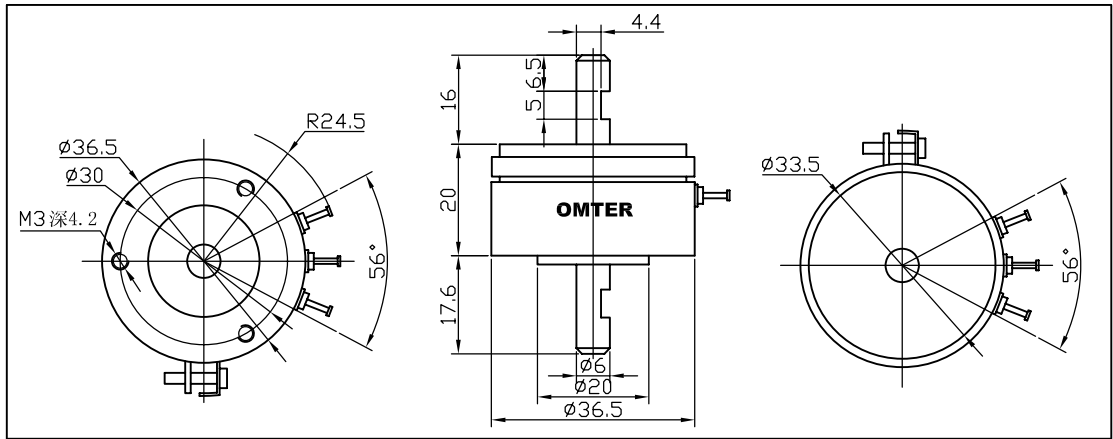
机械性能 Mechanical:

机械转角 Mechanical Travel	360° (连续 Endless)
启动力矩 Starting Torque (MAX.)	≅ 10x10 ⁻⁴ N.M
轴承 Bearing	2 Pairs Ball Bearing
轴 Shaft	Stainless Steel
壳体 Housing Case	Aluminum alloy

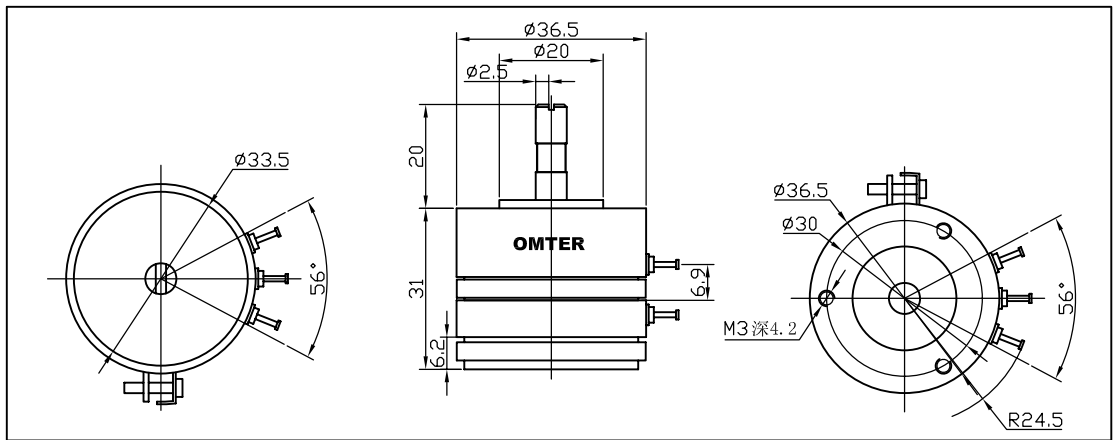
环境性能 Environmental:

机械寿命 Life Expectancy	Approx. 50,000,000 (Shaft Revolutions)
使用温度范围 Operating Temperature	-55°C ~ +125°C
振动 Vibration	15G 2000Hz
冲击 Shock	50G 11ms

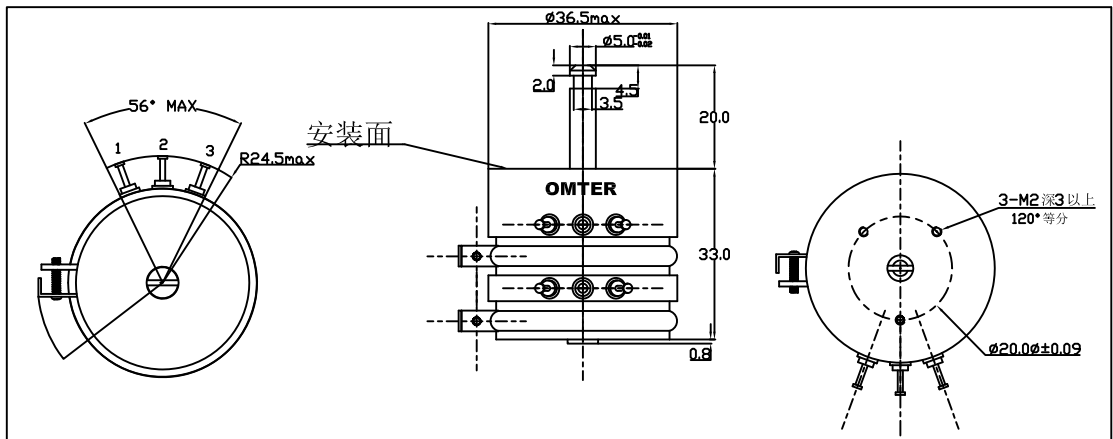
WDD35D-4A



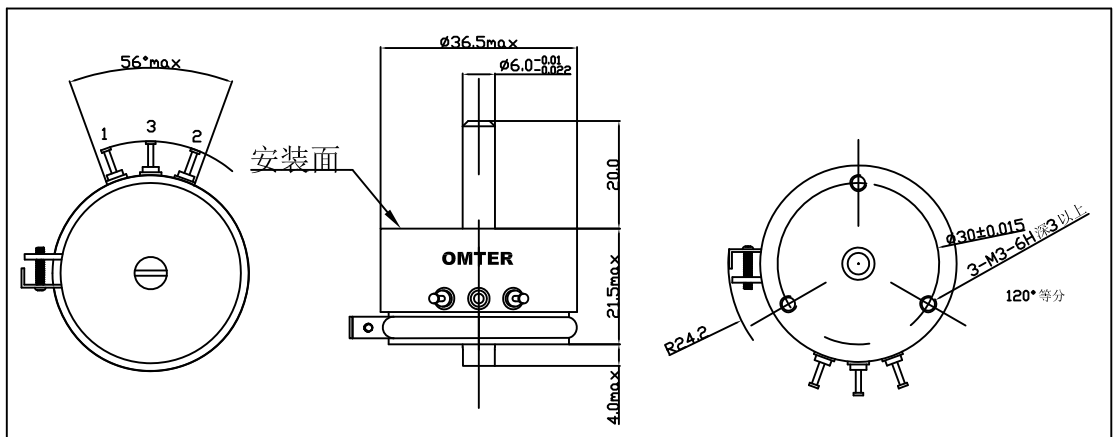
2WDD35D-4



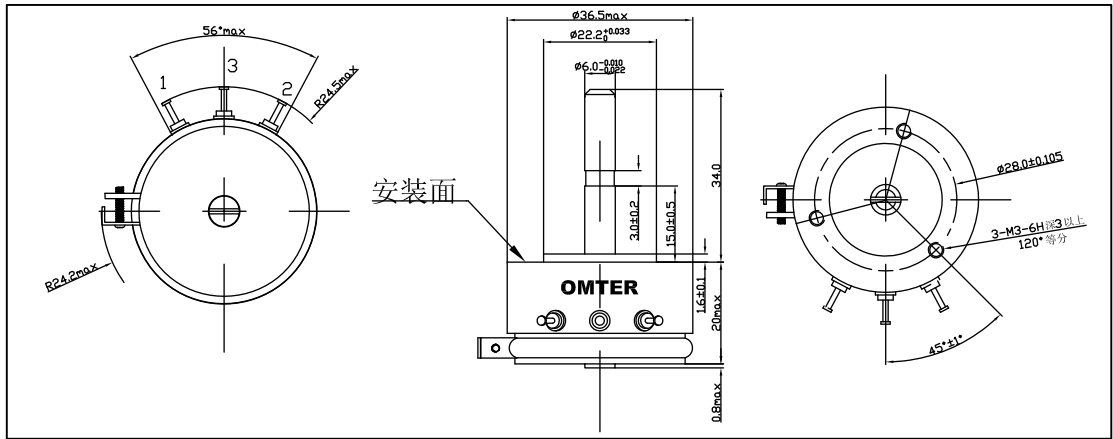
2WDD35D-4A



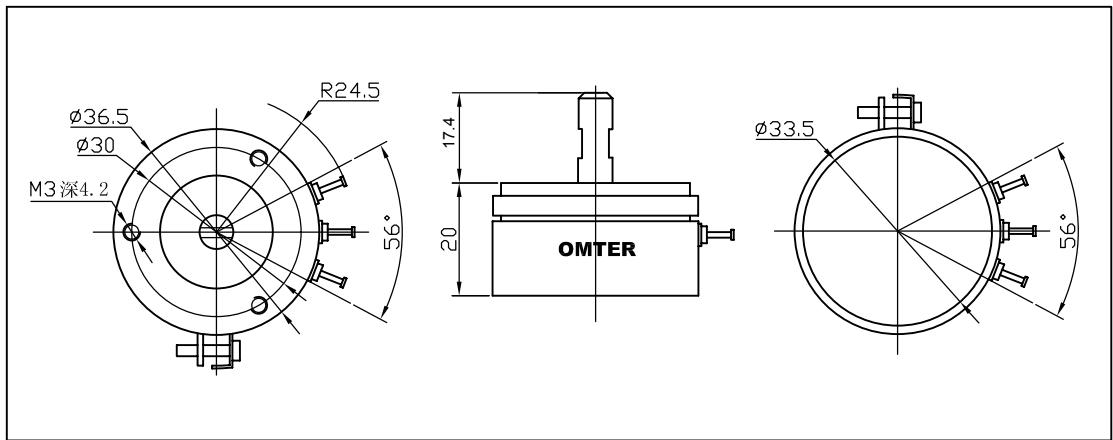
WDD35-8



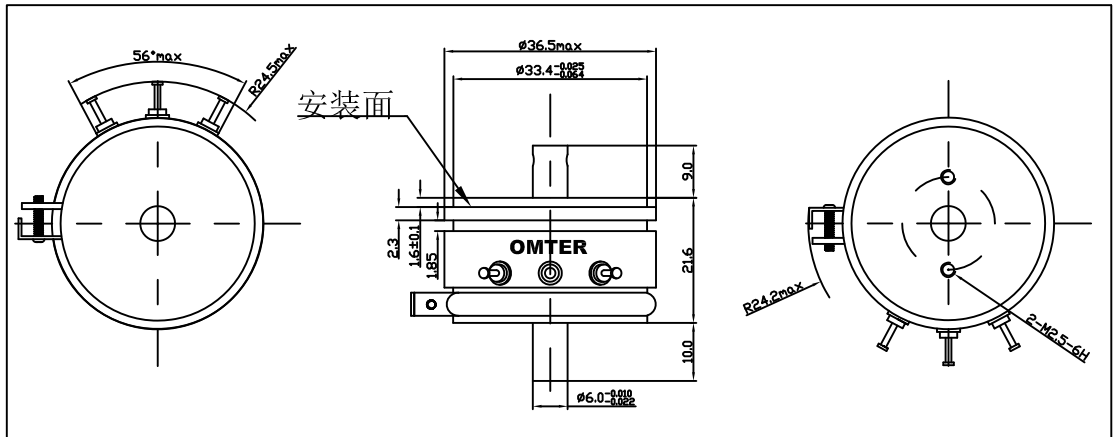
WDD35D-1



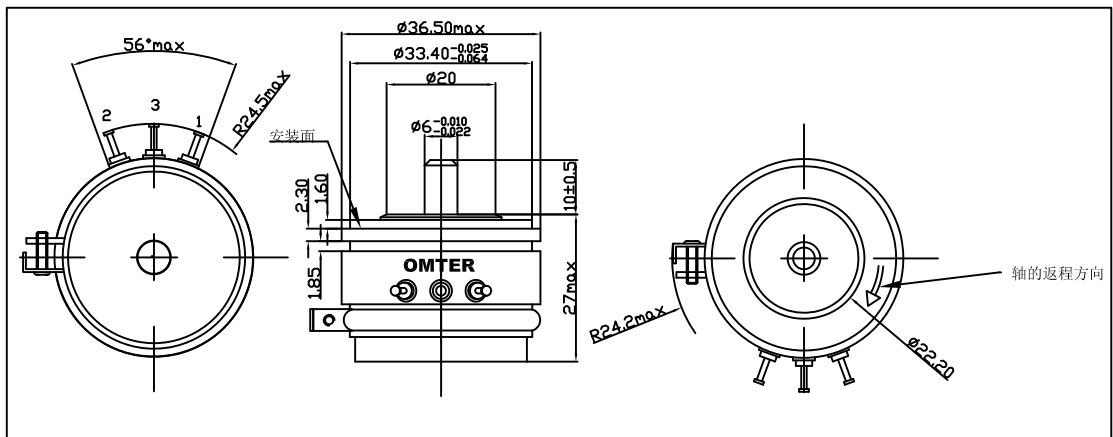
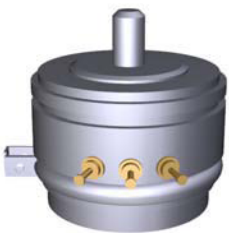
WDD35D-4



WDD35S



WDD35S-8T





WDD35D-8T

