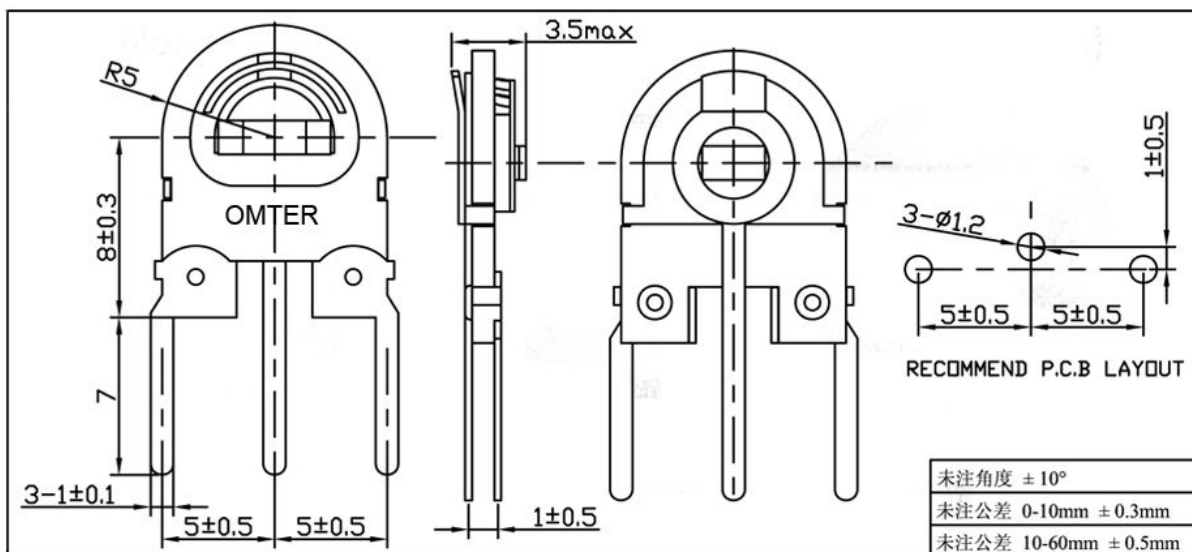
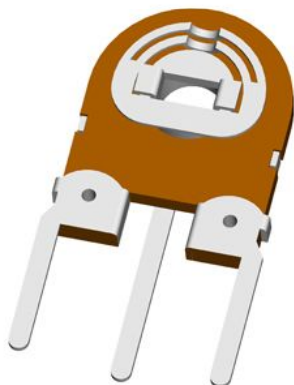




Yueqing Omtter Electronic & Technology Co., Ltd.

# SR-108



## Feature特点:

- ◇3 Pins (三端型) ◇Vertical Mount/ Horizontal Adjust (直立/横调式)
- ◇RoHS Compliant (环保产品, 有RoHS认证)

## 参数特性General Specification :

总阻值范围 Nominal Resistance	200 Ω to 1M Ω
标准阻值误差 Resistance Tolerance	± 30% standard
残留阻值 Residual Resistance	Maximum 5% of Nominal Resistance but less than 30 Ω, whichever is lower
线性 Taper	Linear (B)
额定功率 Power Rating	0.1W
使用电压 Operating Voltage	Less than (少于) 50V
旋转寿命 Rotational Life	Maximum +/-15% change in Nominal Resistance after 100 Cycles
负载寿命 Load Life	Maximum +/-5% change in Nominal Resistance after 3 hours loaded
旋转角度 Rotational Angle	260° ± 20°
扭转力矩 Torque	50 ~ 300 g.cm
止挡强度 End-Stop Strength	500g.cm (Min.)
机械强度 Mechanical Strength	Bakelite sheet not be broken down under pressure of 1Kg. cm maximum
使用温度 Operating Temperature	-5°C~ +40°C
温度特性 Temperature Characteristics	+5 ~ -30% change in resistance after 5 hours at 70 °C
湿度特性 Humidity Characteristics	Maximum 20% Change in Resistance after 350 hours at 40 °C and RH 90% loaded
焊锡方式 Soldering Method	Hand Soldering
焊锡温度 Soldering Temperature	260°C
焊锡时间 Soldering Time	3 seconds