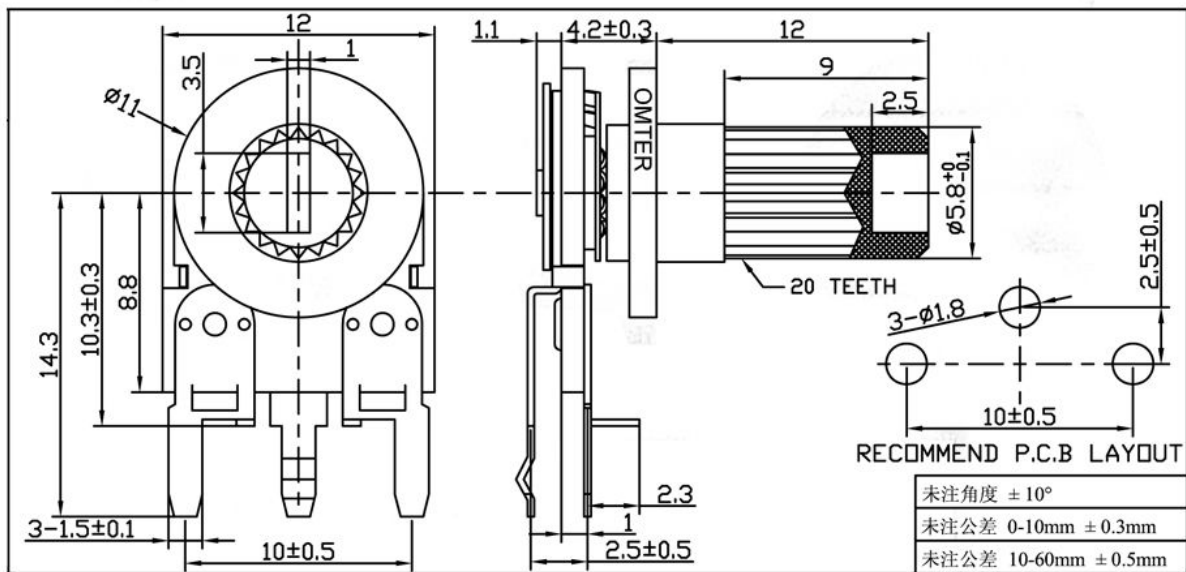
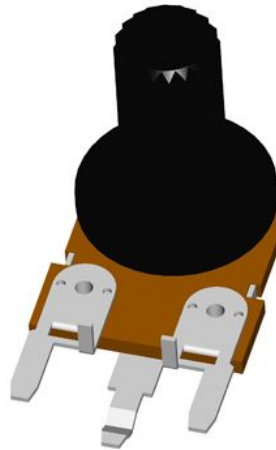




Yueqing Omtter Electronic & Technology Co., Ltd.

SR-103A(10*2.5)



Feature特点:

- ◇ 3 Pins (三端型) ◇ Vertical Mount/ Horizontal Adjust (直立/横调式) ◇ Pitch: 10*2.5mm (端距: 10mm x 2.5mm)
- ◇ w/ Cover (附防尘盖) ◇ RoHS Compliant (环保产品, 有RoHS认证)

参数特性 General Specification:

总阻值范围 Nominal Resistance	100 Ω to 1M Ω
标准阻值误差 Resistance Tolerance	± 30% standard
残留阻值 Residual Resistance	Maximum 5% of Nominal Resistance, but less than 30 Ω
线性 Taper	Linear (B)
额定功率 Power Rating	0.1W
使用电压 Operating Voltage	Less than (少于) 50V
旋转寿命 Rotational Life	Maximum +/-15% change in Nominal Resistance after 100 Cycles
负载寿命 Load Life	Maximum +/-5% change in Nominal Resistance after 3 hours loaded
旋转角度 Rotational Angle	270° ± 20°
扭转力矩 Torque	80 ~ 300 g.cm
止挡强度 End-Stop Strength	500g.cm (Min.)
机械强度 Mechanical Strength	Bakelite sheet not be broken down under pressure of 1Kg. cm maximum
使用温度 Operating Temperature	-5℃~ +40℃
温度特性 Temperature Characteristics	+5 ~ -30% change in resistance after 5 hours at 70 °C
湿度特性 Humidity Characteristics	Maximum 20% Change in Resistance after 350 hours at 40 °C and RH 90% loaded
焊锡方式 Soldering Method	Hand Soldering
焊锡温度 Soldering Temperature	250℃
焊锡时间 Soldering Time	2 seconds

地址: 浙江省乐清市乐成镇后所工业区 ADD: Housuo Industrial Zone, Yuecheng Town, Yueqing City, Zhejiang, China
 电话 Tel: +86-577-27811881 传真 Fax: +86-577-62591280 Email: Omtter@omter.com Website: www.omter-tyxn.com