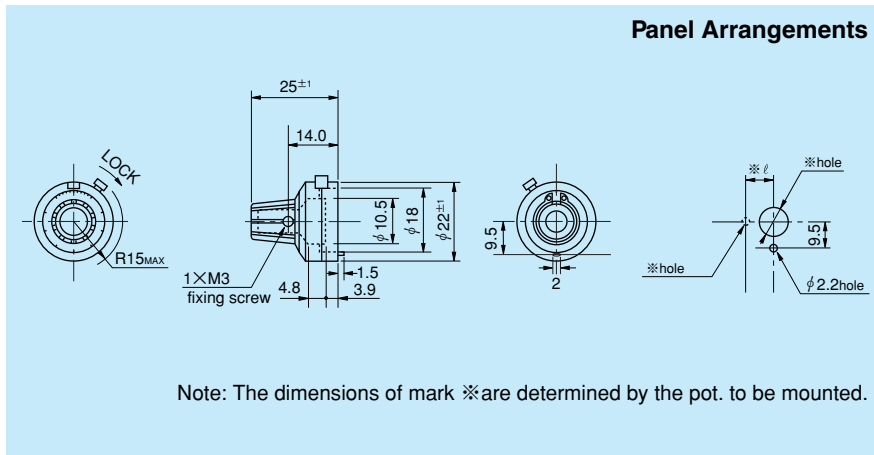


● Standard Dimensions



Model MG20-22B



Note: The dimensions of mark ※ are determined by the pot. to be mounted.

● General Specifications

| Model No | Number of Turns-Counting. | Matching Shaft Dia. (mm) | | Combinable Helicalohm Pot. (Matching shaft length of 25mm) | | | Lock Device | Operating Temperature Range | Mass (Approx. g) |
|----------|---------------------------|--------------------------|---------------------|--|--------------|----------------|-------------|-----------------------------|------------------|
| | | Standard | Special | 10HP | 22HP | 12HHP | | | |
| MG20-22B | 20 | 6 | 3, 3.175 4, 6.35 | 12HP 12HPC 20HP | 25HP 46HD | 20HHP 22HHP | YES | -30°C ~ +60°C | 5 |

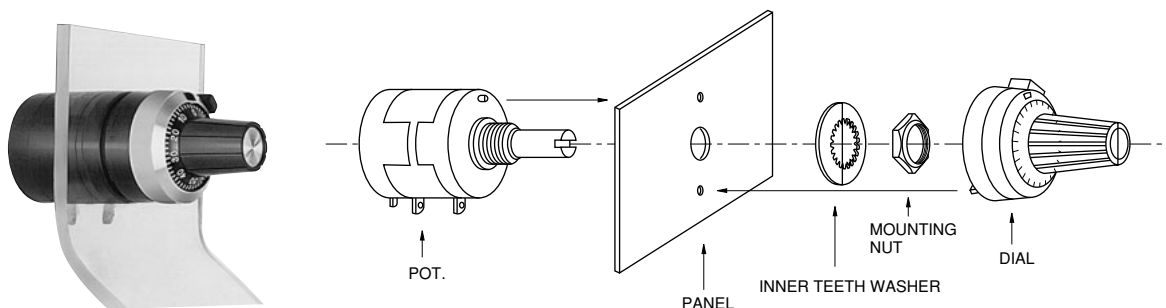
■ Mechanism of Lock Device

Note: 2 kinds of lock device on MG dial are available and please select them in accordance with your application.
 Model MG20-22B...Locking is gradually made.
 Model MG20-22BA...Locking is suddenly made.
 Unless otherwise specified, we will supply model MG20-22B.

● Special Specifications Available

Special color for outer case(Black, Gray, etc.), special color for knob and graduation(Gray), 100 divisions in inner graduation (Possible read out of 1/1,000 in 10-turn pot.)

How to mount MG Series



After the potentiometer is fixed to the panel using the mounting nut, the shaft of the potentiometer is turned anticlockwise to its limit and is put into the mounting hole of the dial which was already set at "0". The shaft of the potentiometer is secured by the screw positioned at the knob of the dial with the attached hexagonal wrench. With this, the mounting is completed. Please note that before mounting, holes are to be prepared on the panel according to the panel arrangements above.