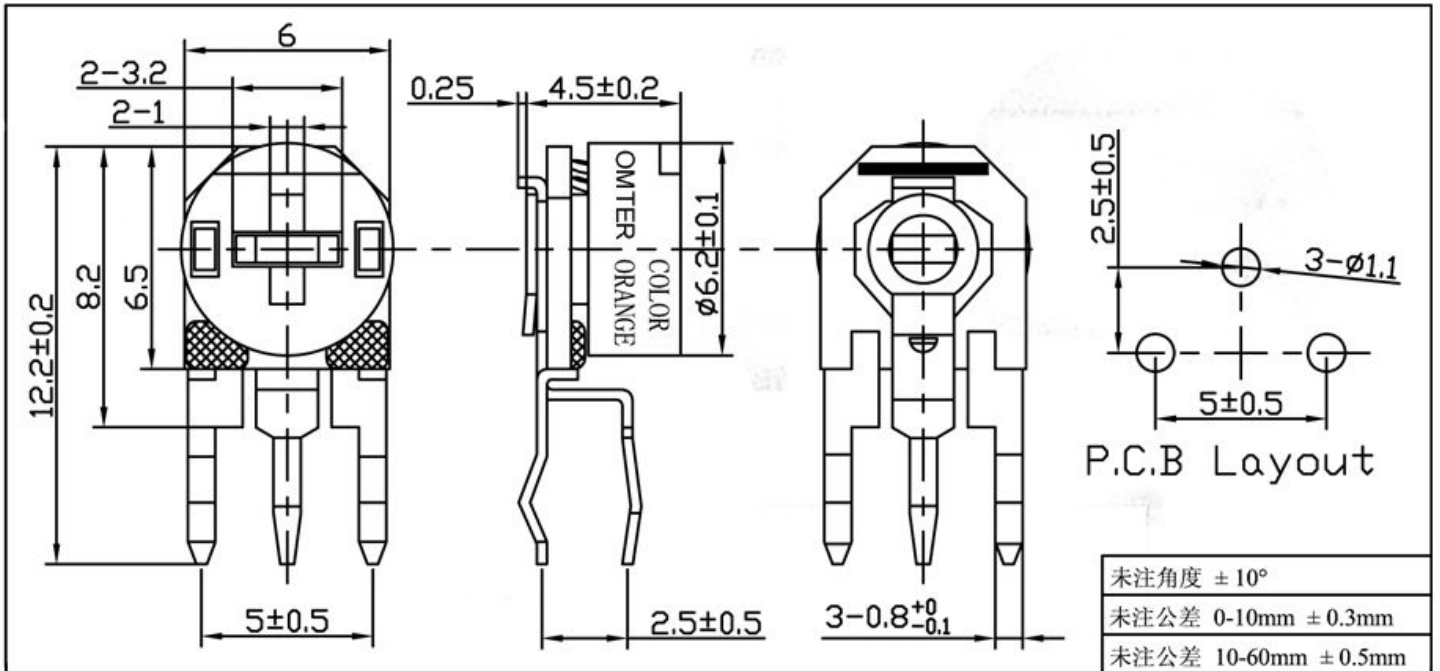
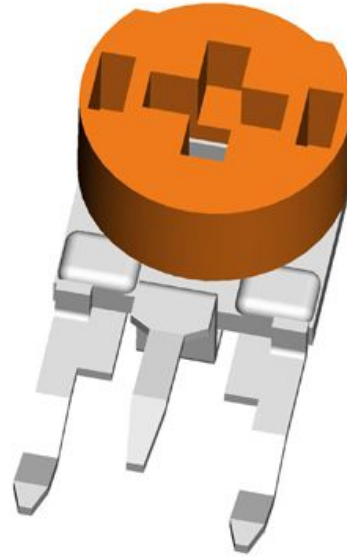


SCR-063A(2.5*5)



Feature特点:

- ◇3 Pins (三端型) ◇Vertical Mount/ Horizontal Adjust (直立/横调式) ◇Pitch: 2.5x5mm (端距:2.5x5mm)
- ◇w/ Cover (附防尘盖) ◇RoHS Compliant (环保产品, 有RoHS认证)

参数特性General Specification:

总阻值范围 Nominal Resistance	100 Ω to 1M Ω
标准阻值误差 Resistance Tolerance	± 30% standard
残留阻值 Residual Resistance	Maximum 5% of Nominal Resistance, but less than 30 Ω
线性 Taper	Linear (B)
额定功率 Power Rating	0.15W
使用电压 Operating Voltage	Less than (少于) 100V
旋转寿命 Rotational Life	+/-10% change in Nominal Resistance after 50 Cycles
旋转角度 Rotational Angle	270° ± 20°
扭转力矩 Torque	60 ~ 300 g.cm
止挡强度 End-Stop Strength	300g.cm (Min.)
使用温度 Operating Temperature	-25℃~+70℃
温度特性 Temperature Characteristics	500 ppm/℃(-20℃~70℃)
湿度特性 Humidity Characteristics	Maximum ± 5% Change in Resistance after 500 hours at 40 °C and RH 95% loaded
焊锡方式 Soldering Method	Hand Soldering