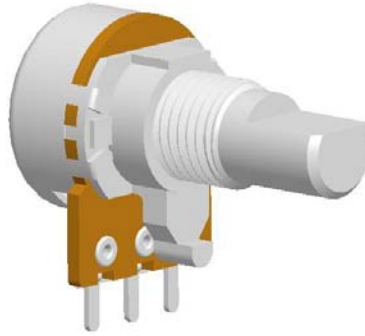


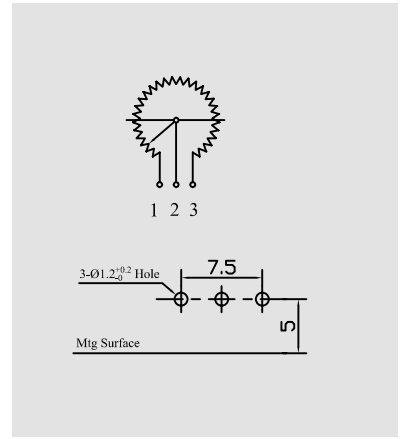
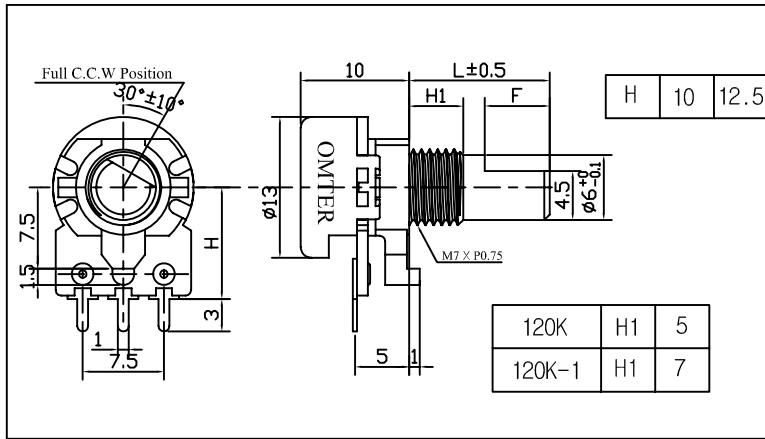
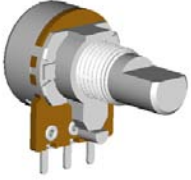
F-120K 系列 金属轴旋转型电位器
F-120K Series Metal Shaft Rotary POT.



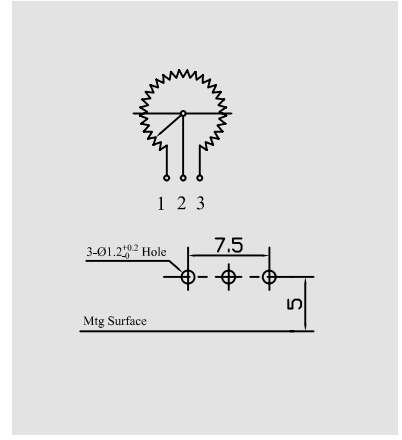
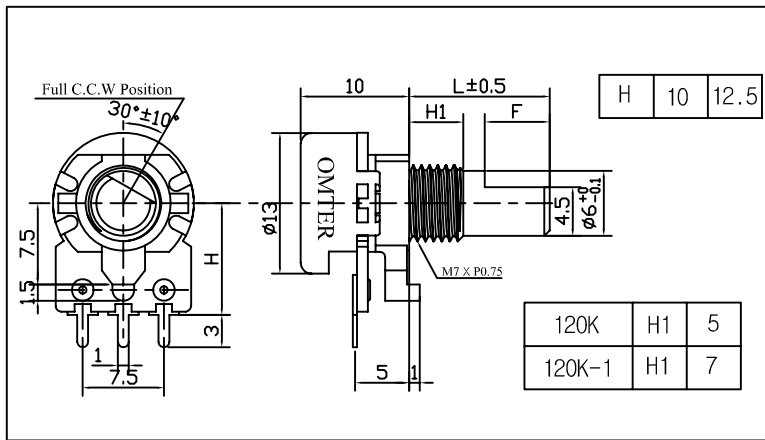
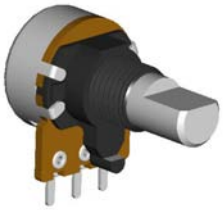
轴的类型 Shaft Style

<p>F Shaft Style</p> <table border="1" style="margin-top: 10px; width: 100%; text-align: center;"> <tr><td>L1</td><td>8.5</td><td>13.5</td><td>18.5</td></tr> <tr><td>A</td><td>7</td><td>12</td><td>12</td></tr> <tr><td>L</td><td>15</td><td>20</td><td>20</td></tr> </table>	L1	8.5	13.5	18.5	A	7	12	12	L	15	20	20	<p>KD Shaft Style</p> <p style="text-align: center;">18 Teeth Knurl 锌合金</p> <table border="1" style="margin-top: 10px; width: 100%; text-align: center;"> <tr><td>L1</td><td>3.5</td><td>8.5</td><td>13.5</td><td>18.5</td></tr> <tr><td>L</td><td>10</td><td>15</td><td>20</td><td>25</td></tr> </table>	L1	3.5	8.5	13.5	18.5	L	10	15	20	25	<p>KQ Shaft Style</p> <p style="text-align: center;">18 Teeth Knurl 铝合金</p> <table border="1" style="margin-top: 10px; width: 100%; text-align: center;"> <tr><td>T</td><td>2.3</td><td>3.5</td><td>6</td><td>7</td><td>8</td><td>9.9</td><td>12.1</td><td>12</td></tr> <tr><td>M</td><td>0.3</td><td>0.5</td><td>1</td><td>1.5</td><td>1.5</td><td>1.5</td><td>2</td><td>2</td></tr> <tr><td>L</td><td>10</td><td>12</td><td>15</td><td>17</td><td>18</td><td>20</td><td>25</td><td>30</td></tr> </table>	T	2.3	3.5	6	7	8	9.9	12.1	12	M	0.3	0.5	1	1.5	1.5	1.5	2	2	L	10	12	15	17	18	20	25	30
L1	8.5	13.5	18.5																																																
A	7	12	12																																																
L	15	20	20																																																
L1	3.5	8.5	13.5	18.5																																															
L	10	15	20	25																																															
T	2.3	3.5	6	7	8	9.9	12.1	12																																											
M	0.3	0.5	1	1.5	1.5	1.5	2	2																																											
L	10	12	15	17	18	20	25	30																																											
<p>KY Shaft Style</p> <p style="text-align: center;">18 Teeth Knurl 塑胶轴</p> <table border="1" style="margin-top: 10px; width: 100%; text-align: center;"> <tr><td>L1</td><td>3.5</td><td>8.5</td><td>13.5</td><td>18.5</td></tr> <tr><td>L</td><td>10</td><td>15</td><td>20</td><td>25</td></tr> </table>	L1	3.5	8.5	13.5	18.5	L	10	15	20	25	<p>S Shaft Style</p> <table border="1" style="margin-top: 10px; width: 100%; text-align: center;"> <tr><td>L1</td><td>3.5</td><td>8.5</td><td>13.5</td><td>18.5</td><td>23.5</td><td>33.5</td></tr> <tr><td>L</td><td>10</td><td>15</td><td>20</td><td>25</td><td>30</td><td>40</td></tr> </table>	L1	3.5	8.5	13.5	18.5	23.5	33.5	L	10	15	20	25	30	40	<p>R Shaft Style</p> <table border="1" style="margin-top: 10px; width: 100%; text-align: center;"> <tr><td>L1</td><td>3.5</td><td>8.5</td><td>13.5</td><td>18.5</td><td>23.5</td><td>33.5</td></tr> <tr><td>L</td><td>10</td><td>15</td><td>20</td><td>25</td><td>30</td><td>40</td></tr> </table>	L1	3.5	8.5	13.5	18.5	23.5	33.5	L	10	15	20	25	30	40											
L1	3.5	8.5	13.5	18.5																																															
L	10	15	20	25																																															
L1	3.5	8.5	13.5	18.5	23.5	33.5																																													
L	10	15	20	25	30	40																																													
L1	3.5	8.5	13.5	18.5	23.5	33.5																																													
L	10	15	20	25	30	40																																													

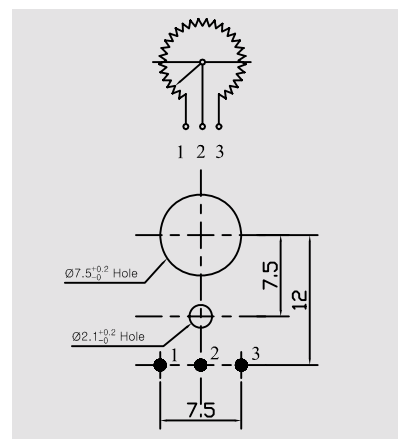
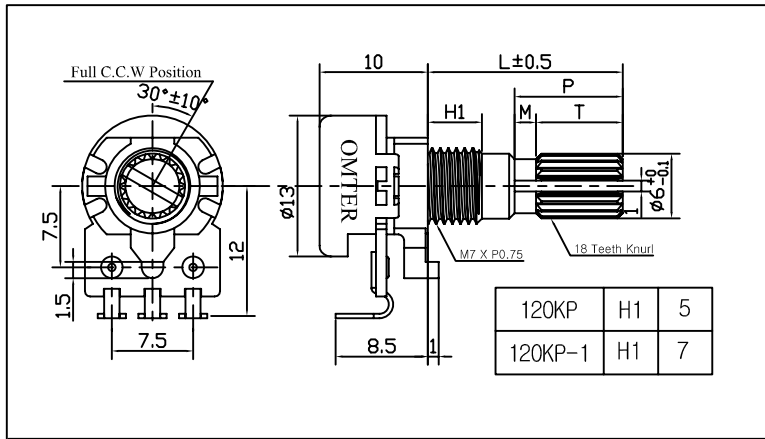
F-120K



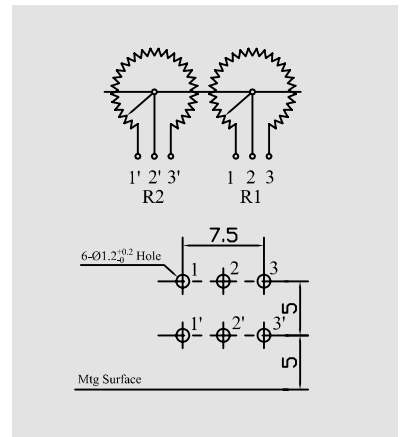
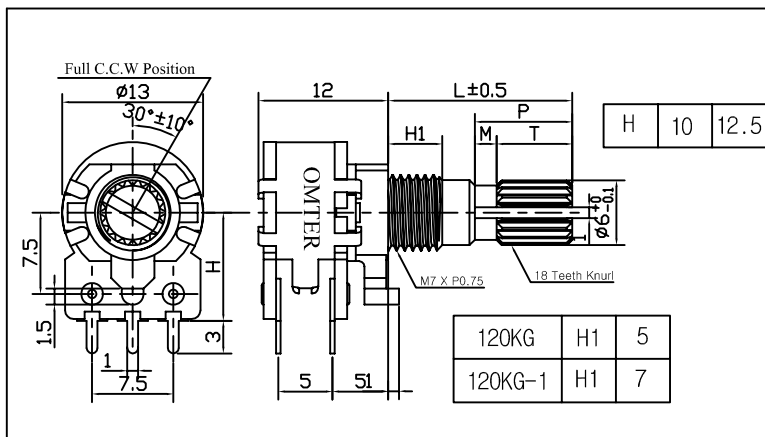
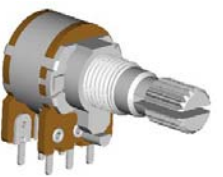
F-120K-U



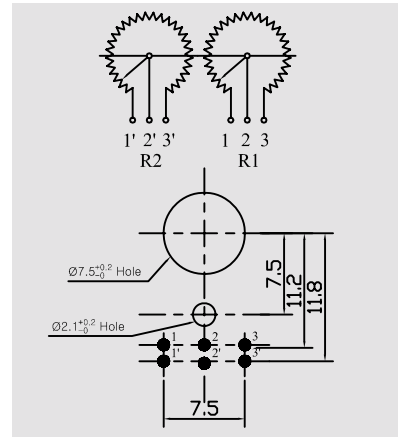
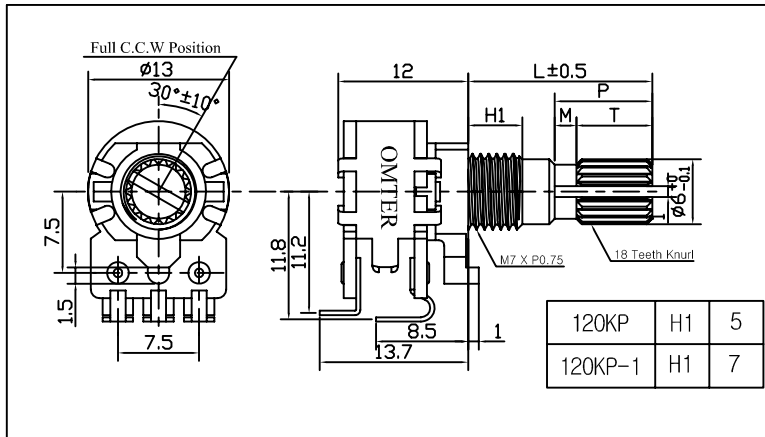
F-120KP



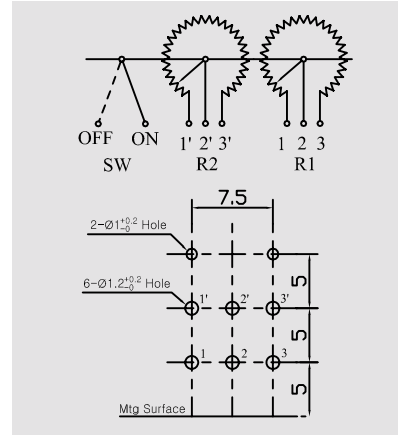
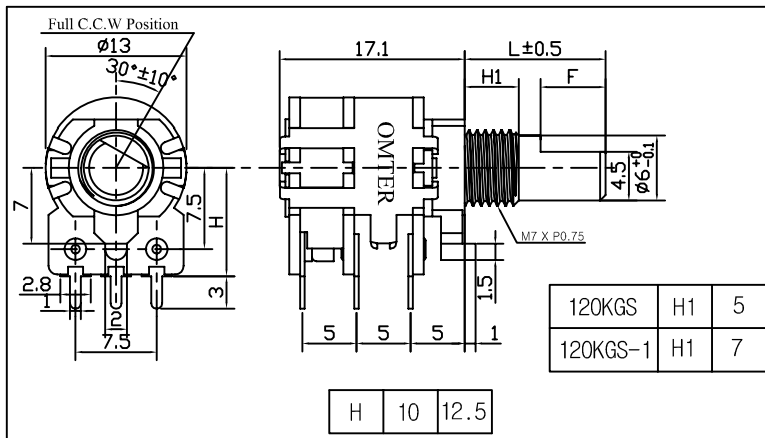
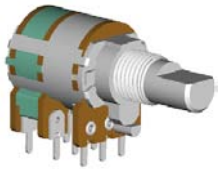
F-120KG



F-120KGP



F-120KGS



F-120K Series

MAIN SPECIFICATION	
全阻值: Total Resistance	500Ω- 500KΩ
全阻值公差Total Resistance tolerance:	±20%
抵抗变化特性: Resistance Tape	A,B,C,D
最大工作电压:Max. operation voltage	B线性:AC150V,其它线性:AC100V
额定功率: (W) Ratings Power	Linear B: 0.1W; Other: 0.05W
杂音: Noise	Less than 100mV
耐电压:Withstanding voltage	1 minute at AC 300V
绝缘抵抗:Insulation resistance	More than 50MΩat DC 500V
残留阻值: Residual Resistance Value	Term.1~2: Less than 20Ω Term.2~3: Less than 20Ω
同步误差: Gang Error	-40dB~0dB±3dB
开关接触阻抗Switch Contact Resistance	Less than 50mΩ
开关额定功率Switch rated power	2.0A at AC 125V
MECHANICAL	
全回转角度: Total Rotation Angle	300±10(degree)
旋转力矩: Rotation Torque	20~200 gf.cm
旋转止动强度: Shaft Stop Strength	3.0Kgf.cm Min
推拉强度: push-pull strength	5.0 kgf Min
旋转段位数Click position	1C,11C,21C,41C
开关力距Switch torque	150~500gf.cm
开关旋转角度Switch Rotational Angle	30±10(degree)
段位推动力Click Torque	30~300gf.cm
Durable performance	
旋转寿命: Rotational life	10000Cycle