

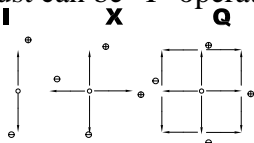
CV4 系列操纵杆
CV4 series joystick



命名法 **Name regulation:**

S CV 4—Y Q— 0 4 R2 G — B M — R 0000
1 2 3 4 5 6 7 8 9 10 11 12 13

- 1.S指特殊定制的机械规格
S: Special for the Mechanical specification
- 2.CV指低价位开关型操纵杆系列
CV: Switch joystick with low price
- 3.4指底部外壳的大概尺寸, 以CM为单位
4 is the rough size of the bottom, the unit is CM
- 4.机械类型Mechanical Type:
X: 单轴调节型 X: 1-axis adjustment type
Y: 双轴调节型 Y: 2-axis adjustment type
- 5.操纵杆的可选操作方向, 如下图所示:
Direction of the joystick
X: 只能在X、Y轴上十字操作
X: just can be "+" direction on X and Y axis
Q: 360°方形操作 (标准型)
Q: 360 degree square operation (standard type)
I: 只能在Y轴上I型操作
I: just can be "I" operation on Y axis



- 6. 安装的电位器个数 Potentiometer quantity
0.....不安装电位器
0.....without the potentiometer
- 7. 安装开关的个数 Switch quantity
2.....安装2个开关
2.....2 switches

- 4.....安装4个开关
4.....4Switches
- 5.....安装5个开关
5.....5 Switches
- 8. 弹簧复位装置 Spring Return Installment
R1: 单轴调节带弹簧复位(X轴或Y轴)
R1: 1-axis with spring return (X axis or Y axis)
R2: 双轴调节带弹簧复位(X轴和Y轴)
R2: 2-axis with spring return(X axis and Y axis)
- 9. 安装部件 Components
G: 带防尘橡皮罩
G: within the dust-proof rubber cover
- 10. 把手带按钮开关、开关可选颜色
Handle with button switch, the color can choose
B:Black Y:Yellow G:Green
R:Red O:Orange U:Blue
- 11. 把手按钮开类型 The type of the button switch
M: 触发型 L: 切换型
M: triggering type L: converted type
- 12. 把手按钮开关带灯, 指示灯可选颜色
The handle can be within the lamp and color can be choose
W: 白色 Y:黄色 R: 红色 O:橙色 G: 绿色 U:蓝色
W:white Y:yellow R:red O:orange G:green U:blue
- 13. 四位数, 用于特殊的客户需求。
For clients' special requirement.

机械性能 mechanical character

操纵杆的控制范围: Control range of the joystick

X.Y两轴: 自中心位置起约 $\pm 12^\circ$

X.Y two axis: Starting from the central location approx $\pm 12^\circ$

操作压力 Operating pressure:

带弹簧自动复位装置 with spring return device

X.Y轴: 约1N~1.2N (100gf~120gf)

X.Y axis: approx 1N ~ 1.2N (100gf~120gf)

操作温度范围: Operating temperature range: $-20^\circ\text{C} \sim +65^\circ\text{C}$

振动: Vibration: 10~55Hz 98m/S²

冲击: Impact: 294m/S²

防护等级: IP65 (安装面板以上) Protection class: IP65 (above the mounting panel)

预期寿命: 约200,000次 Life expectancy: approximately 200,000 times

质量: 约40g Quality: about 40g

电气性能: Electrical function

把手按钮开关触点容量 Handle button switch contact capacity: 50VDC/0.1A

微动开关触点容量 Micro Switch contact capacity: 250VAC/5A

发光二极管 (LED) 额定值 Light emitting diode (LED) rating: 2VDC, 20mA

可选特殊规格: Optional special specifications

特殊机械结构; 特殊把手; 特殊杆高; 特殊弹簧复位力; 特殊防尘罩

Special mechanical structure; special handle; special rod length; special spring return force; special dust cover

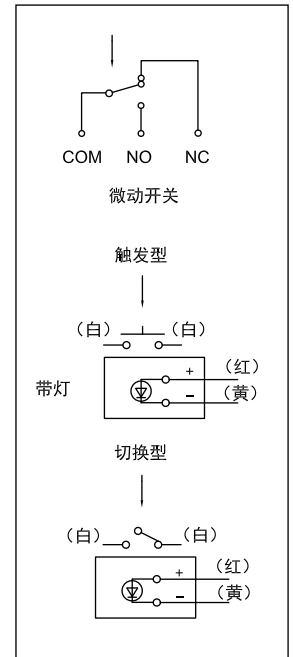
把手按钮开关可选; 微动开关触点容量可选 (250VAC/10A); 信号级开关可选。如有批量, 可提供特定OEM产品

Could choose handle button switch; could choose micro switch contact capacity(250VAC/10A); could choose signal level switch. If in bigger quantity, could provide specific OEM products

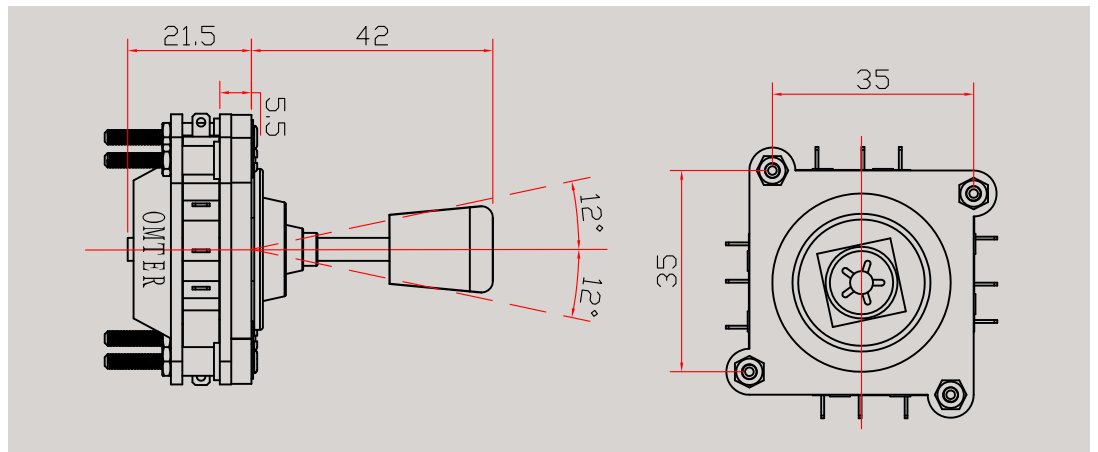
If in bigger quantity, could provide specific OEM products

开关接线示意图

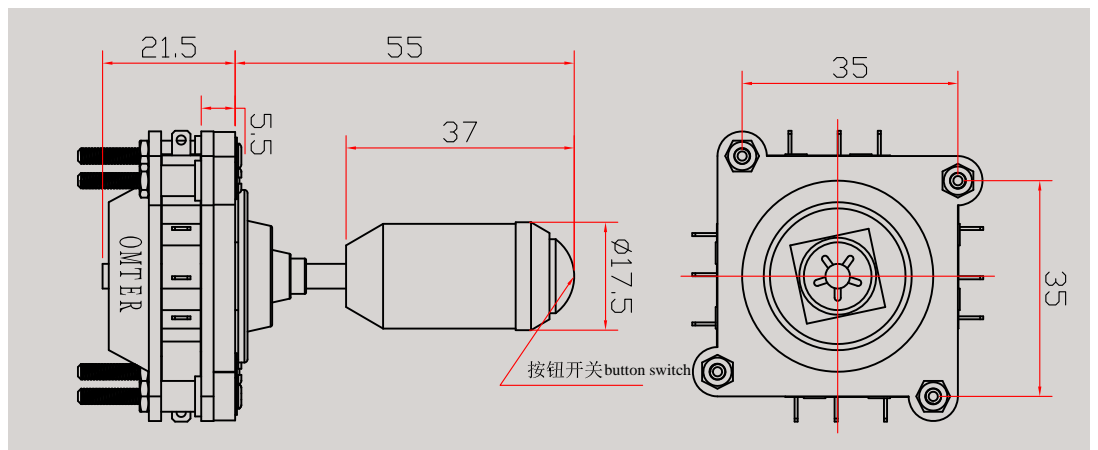
Switch wiring diagram:



CV4-YQ-04R2G

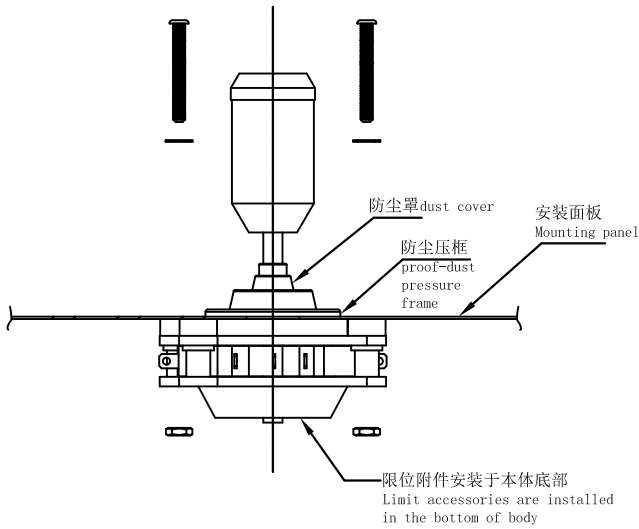


CV4-YQ-05R2G-BM

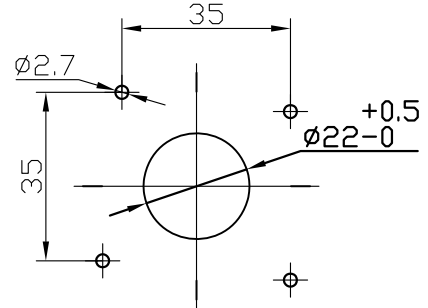


安装方式 Installation method

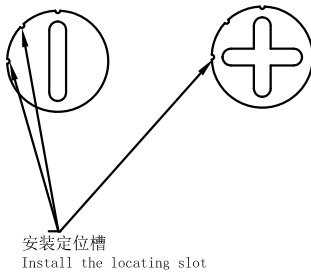
安装示意图: Installation Diagram



面板布局: Panel layout



限位附件 Limit accessories



粘贴时请注意 when you paste Please note:

安装定位销和安装定位槽的配合。
The coordinate between Installation locating pin and Install the locating slot.

粘贴时注意限位的方向是否和使用需要的方向一致。
When paste attention to the limit direction if the same as use demands.
我们可以根据客户的要求将限位附件事先粘贴于操纵杆底部，作为一个单元提供。
We could according to customer requirement to paste the limit accessories at the bottom of the joystick in advance , as a unit.