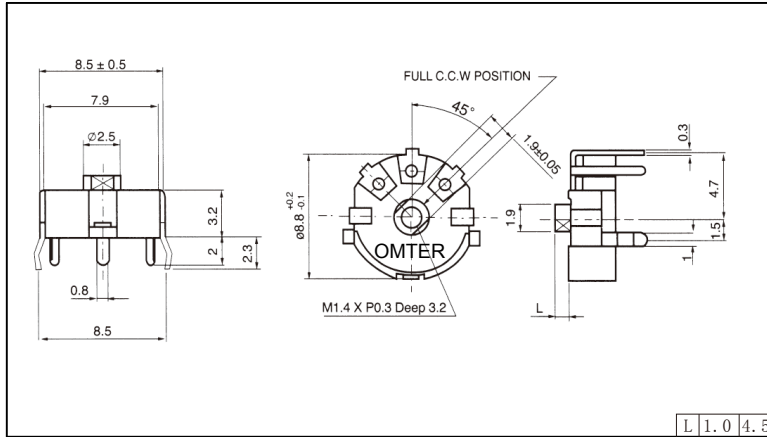


F-08G 系列旋转电位器
F-08G series Rotary potetiometer

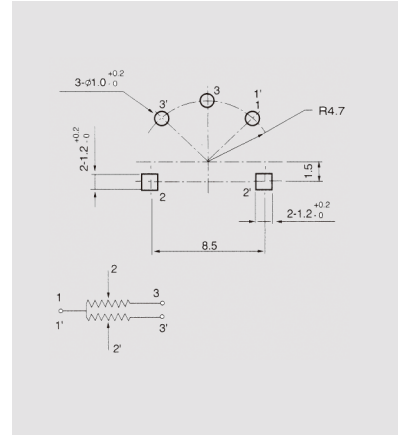


MAIN SPECIFICATION	
Total resistance	5kΩ~250kΩ
Resistance tolerance	± 30%
Resistance pattern	A,B,C,D
Max operation voltage	AC/DC 50V
Power Rate	Linear Taper B:0.03W,Other Tapers: 0.02W
Noise	Less than 100V
Withstanding voltage	1 minute at AC 250V/2mA/50 HZ
Insulation resistance	More than 100MΩ at DC 500V
Residual Resistance Value	Term.1 2: Less than 30Ω
	Term.2 3:Less than 30Ω
Gang Error(Dual Unit)	-40dB~0dB ± 3dB
MECHANICAL	
Total Rotation Angle	200° ± 10°
Rotation Torque	10 gf.cm ~ 100gf.cm
Shaft Stop Strength	0.8kgf.cmMin
push-pull strength	1.0 kgf Min
Durable performance	
Rotational Life	10000 Cycles

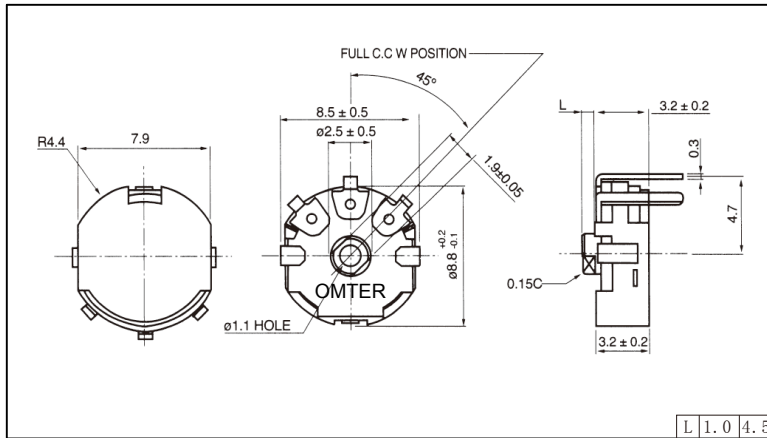
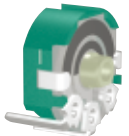
F-08G



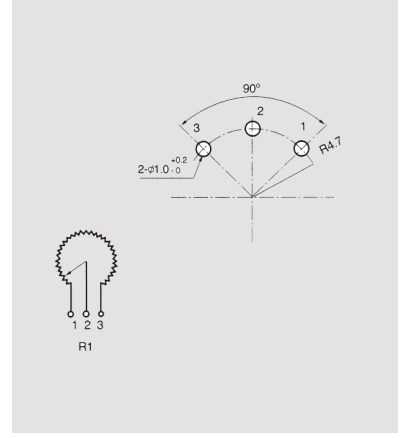
L 1.0 4.5



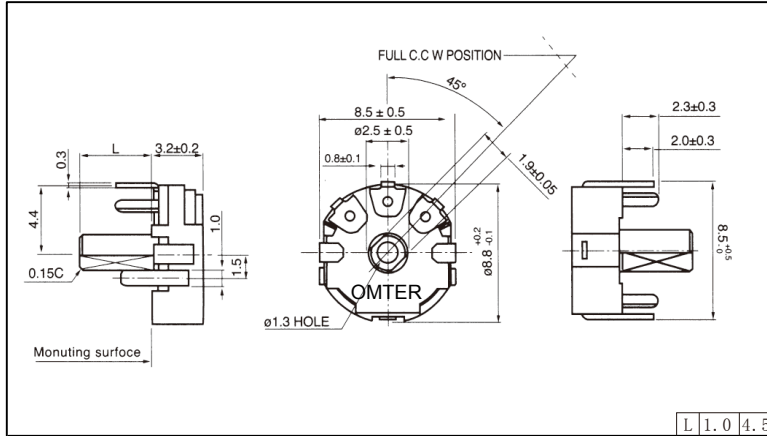
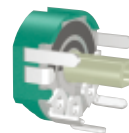
F-08G-N



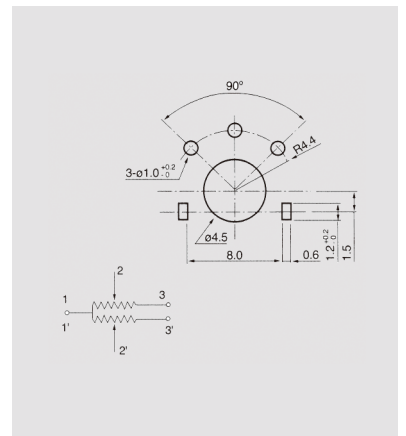
L 1.0 4.5



F-08GD



L 1.0 4.5



Part number system of knob operation potentiometer

