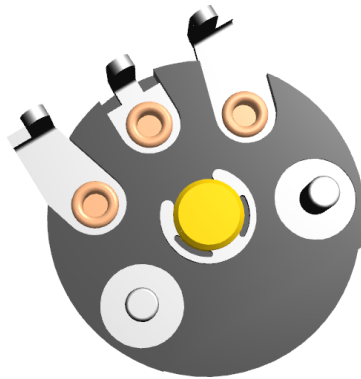


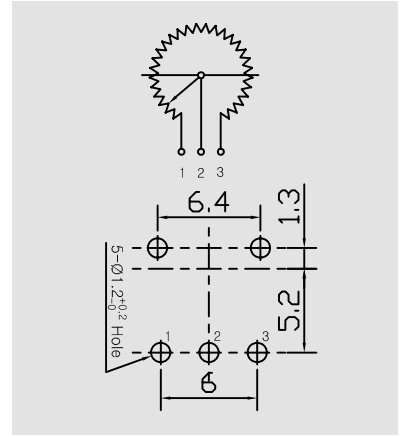
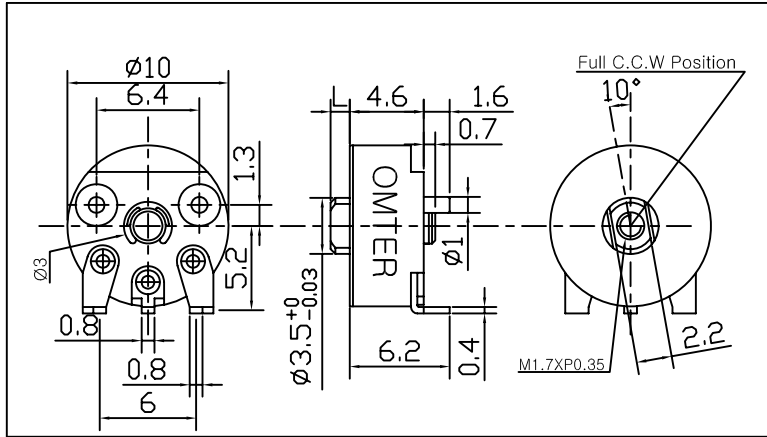
F-10 系列 模壳式电位器  
F-10 Series Molded Case Potentiometer



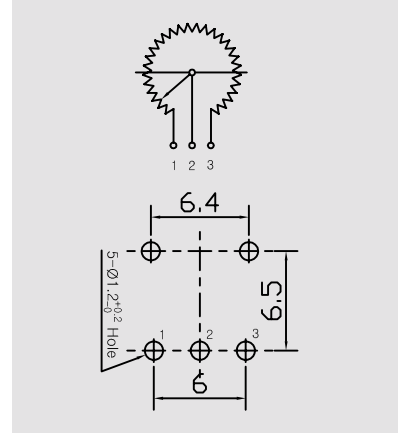
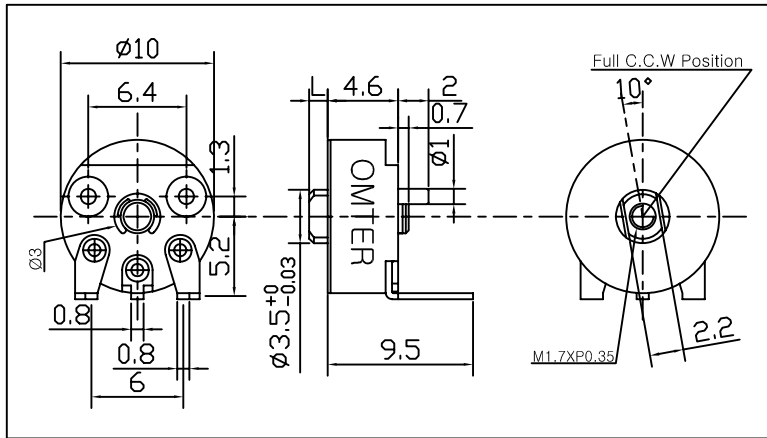
*参数特性General Specification:*

MAIN SPECIFICATION	
全阻值: Total Resistance	1K $\Omega$ - 1M $\Omega$
全阻值公差Total Resistance tolerance:	$\pm$ 20%
抵抗变化特性: Resistance Tape	A,B,C,D
最大工作电压:Max. operation voltage	Linear: AC 100V; Other: AC 70V
额定功率: (W) Ratings Power	Linear: 0.07W; Other: 0.03W
杂音: Noise	Less than 100mV
耐电压:Withstanding voltage	1 minute at AC 250V
绝缘抵抗:Insulation resistance	More than 100M $\Omega$ at DC 100V
残留阻值: Residual Resistance Value	Term.1~2: Less than 20 $\Omega$
	Term.2~3: Less than 20 $\Omega$
MECHANICAL	
全回转角度: Total Rotation Angle	200 $\pm$ 5(degree)
旋转力矩: Rotation Torque	5~150 gf.cm
旋转止动强度: Shaft Stop Strength	2.0Kgf.cm Min
推拉强度: push-pull strength	1.0 kgf Min
Durable performance	
旋转寿命: Rotational life	10000Cycle

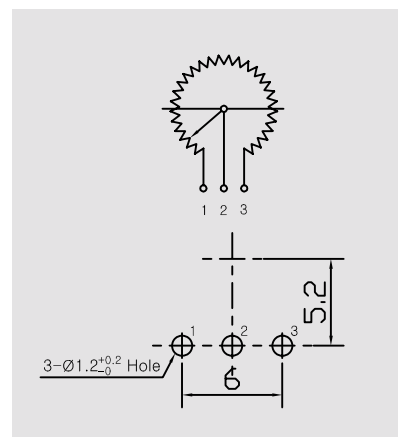
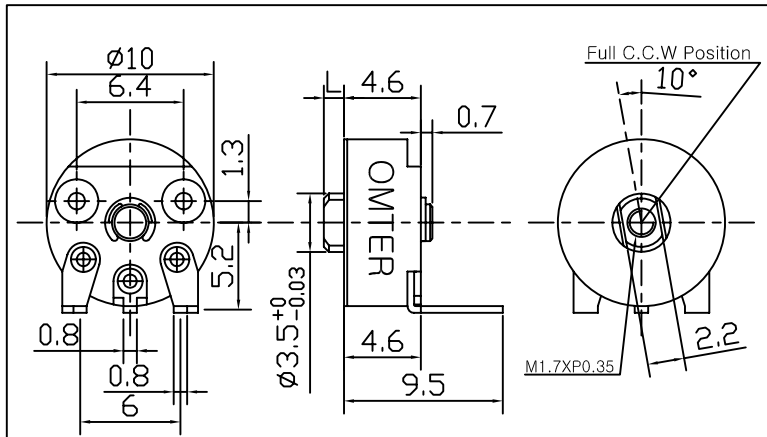
F-10NP-27



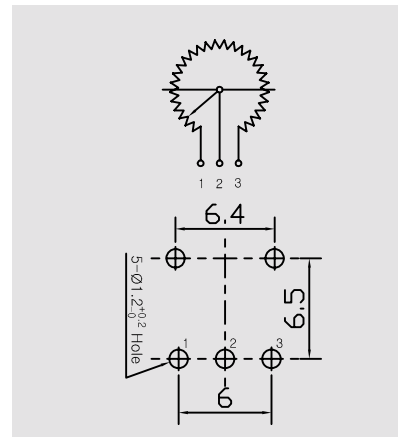
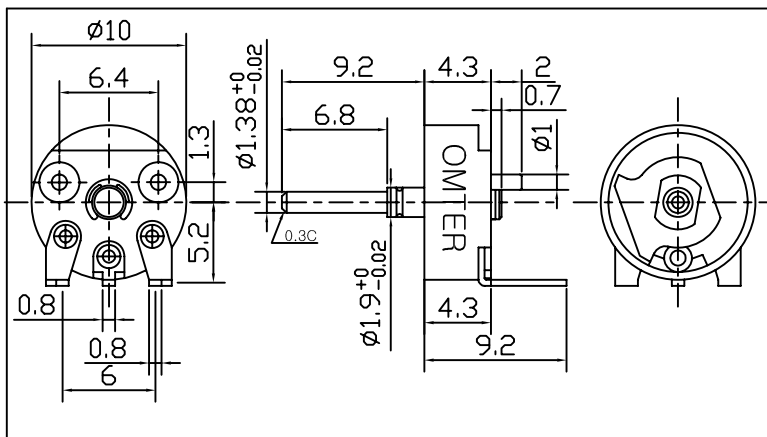
F-10NP-16



F-10NP-22



F-10NP-21



F-10NP-15

