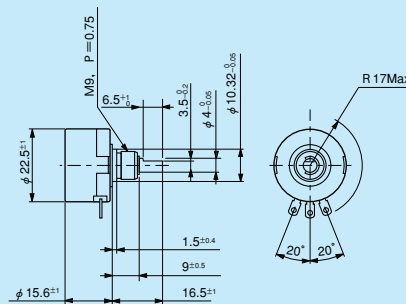




● Standard Dimensions

■ Model KSM22E-5
Model KSM22EI-5



- Note:1) The above drawing shows the position of shaft flattened at the ratio value of 50%.
2) 1 pc.each of inner teeth washer and hex nut is attached.
3) Please duly note that inner construction may burn out when applying the voltage to the wrong terminals except input terminal.

● Standard Model Nos.

KSM22E-5 (Bushingmount)

KSM22EI-5 (Bushingmount)

● General Specifications

Model NO.	KSM22E	KSM22EI
Current Consumption	Approx. 3.5mA	
Independent Linearity Tolerance	$\pm 0.5\%FS$ (FS=100°)	
Mechanical Rotating Angle	360° (Endless)	
Effective Electrical Angle	$\pm 50^\circ$ (100°)	
Applied Voltage	5V $\pm 10\%$ D.C.	
Load Resistance	10 k Ω min.	
Output Range	Approx.10%~90% $V_{in} \cdot FS$ (FS=100°)	
Output Temperature Characteristic	Within $\pm 2.5\% V_{out} \cdot FS$	
Drift at Center Position	Within $\pm 0.5\% V_{out} \cdot FS$	
Operating Temperature Range	-40°C ~ +105°C	
Storage Temperature Range	-40°C ~ +105°C	
Mass	Approx.15g	
Starting Torque mN · m(gf · cm)	Within 1 (10)	Within 3 (30)

● Environmental Specifications

Model No.	KSM22E	KSM22EI
Thermal Shock	5 cycles -50°C ~ +105°C	
Exposure at Low Temperature	24 hours at -50°C	
Exposure at High Temperature	1,000 hours at +105°C	
Moisture Resistance	40°C 95%RH 120 hours	
Vibration	10~2,000Hz 196m/s ² 12 hours	
Shock	980m/s ² (18 times)	
Life Expectancy (shaft revolutions)	Approx. 100,000,000	Approx. 10,000,000

(Note) Life expectancy may differ from the specifications depending on status of use.