

温州联宝贸易有限公司

Wenzhou Linp Trading co., Ltd.

乐清市欧姆特尔电子科技有限公司

Yueqing Omer electronic technology co., ltd.

OM800 系列工业手柄 OM800 series industry handle



产品特点Product characteristic

- ◀ 弹簧自动复位。
Spring automatic reset.
- ◀ 双轴任意方向操作，按钮可选择。
Double axis in any direction operation. Button could select.
- ◀ 可根据需要选择输出电压范围，可选择RS232或USB接口输出。
Could according to requirement select the output voltage range,
Could choose RS232 or the USB connection output.

应用范围Application scope

该系列产品主要应用于电动轮椅车、视频控制设备。

This series product mainly applies in the electrically operated wheelchair,
the video frequency control device.

技术参数 Technical parameter

机械参数 Mechanical parameter

摇动角度: $\pm 25^\circ$
Swing angle: ± 25
使用寿命: 大于500万次
Service life: Is bigger than 5,000,000 times
操作力: 15N (最大)
Operation strength: 15N (biggest)
限位力: 50N
Limit strength: 50N
重量: 120g
Weight: 120g

电气参数 Electrical parameter

总电流: $< 20\text{mA}$
Total current: $< 20\text{mA}$
线性公差: $\pm 5\%$
Linearity tolerance: $\pm 5\%$
电源电压: $\text{DC}5\text{V} \pm 10\%$
Power supply voltage: $\text{DC}5\text{V} \pm 10\%$
负载电阻: $> 10\text{K} \Omega$
Load resistance: $> 10\text{K} \Omega$

环境参数 Environment parameter

工作温度范围: $-40^\circ\text{C} \sim +80^\circ\text{C}$
Operating temperature scope: $-40^\circ\text{C} \sim +80^\circ\text{C}$
防护等级: IP65
Protection rank: IP65

产品选型Product Selection

OM800 - □□□
| |
① ②

分项选型说明Sub-item selection instructions

① 产品系列号Product series number

OM800双轴霍尔型，弹簧自动复位，无方向开关，安装孔距尺寸36mm*36mm
主要用在轮椅车控制视频控制和工程车控制

OM800 double axis Hall type , the spring automatic reset, without direction switch,
installment pitch of holes size 36mm*36mm Mainly uses in the wheelchair controls
the video frequency control and the machine shop truck control

② 输出信号Output signal

H51= 霍尔型DC5V 电源，输出电压0.5V~2.5V~4.5V

H51= Hall type DC5V power source, output voltage 0.5V~2.5V~4.5V

H52=霍尔型DC5V 电源，输出电压0V~2.5V~5.0V

H52= Hall type DC5V power source, output voltage 0V ~2.5V~5.0V

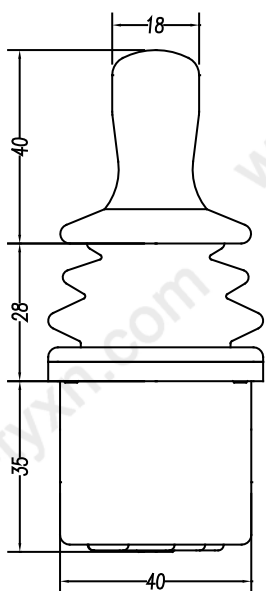
RS232=RS232串口数字信号输出

The RS232=RS232 serial digital signal output

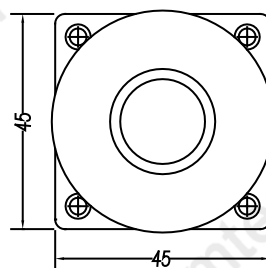
USB=USB接口数字信号输出

The USB=USB connection digital signal output

外形尺寸External dimensions

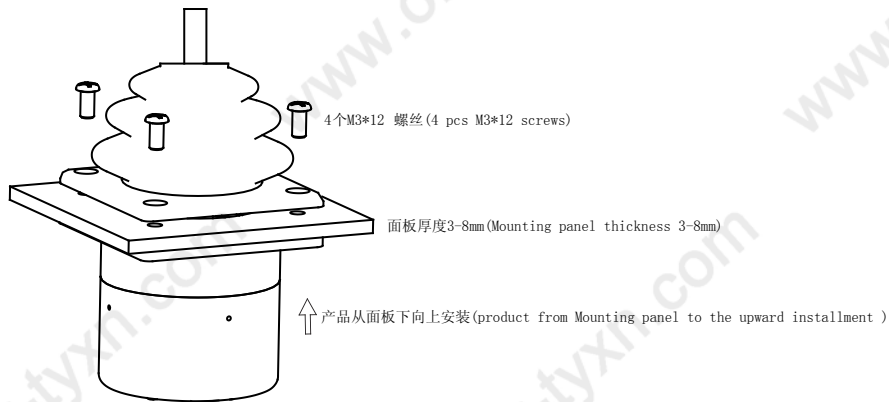


正面图Front view

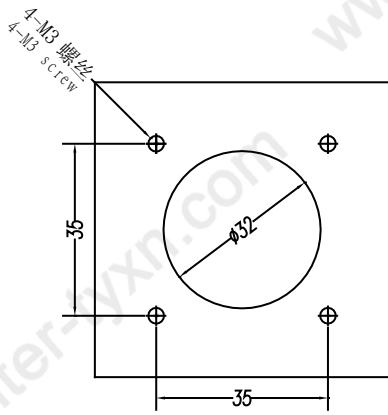


俯视图Vertical view

机械安装The machinery installment



安装示意图Installs the schematic drawing



安装面板开孔示意图Mounting panel to the open hole schematic drawing

电气安装Electrical installation

| 线色 | 线序 | 功能 |
|----|----|-------|
| 红 | 1 | +5VDC |
| 黑 | 2 | 0V |
| 黄 | 3 | X-OUT |
| 绿 | 4 | Y-OUT |

| Line color | Line No. | function |
|------------|----------|----------|
| Red | 1 | +5VDC |
| Black | 2 | 0V |
| Yellow | 3 | X-OUT |
| Green | 4 | Y-OUT |