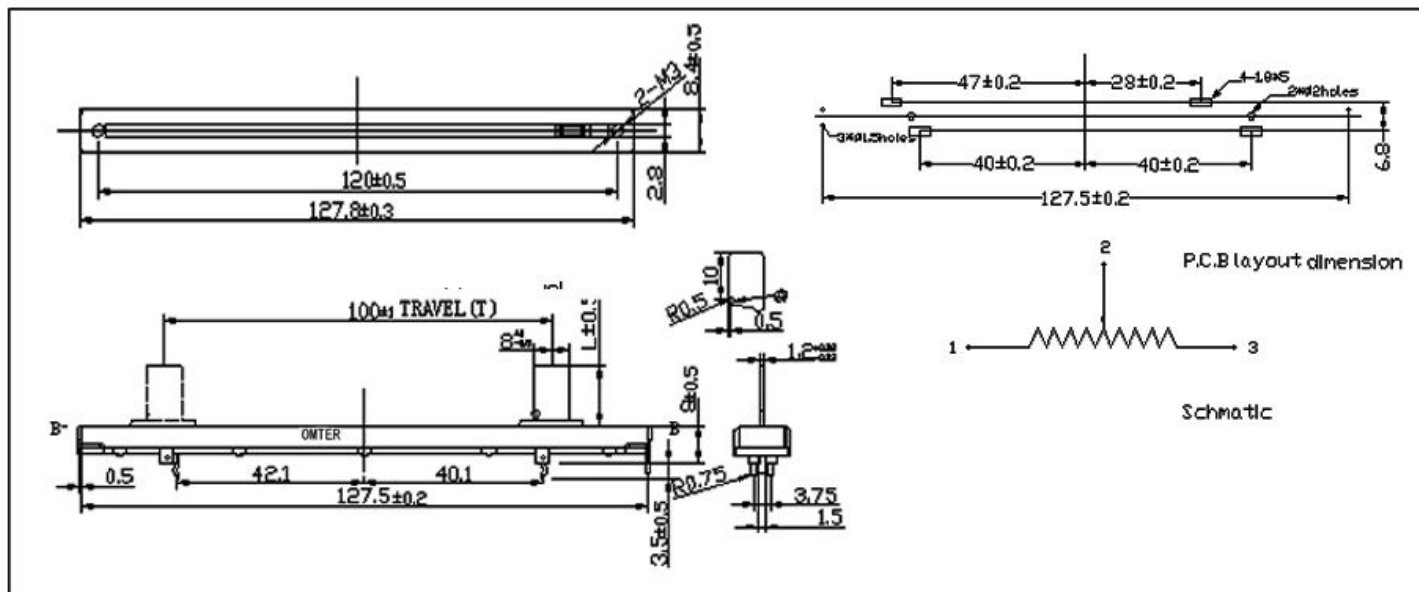


## F10008N



### 参数特性 General Specification:

全阻抗值: Total Resistance	500Ω~1MΩ
全阻抗值容许差: Total Resistance tolerance	±20%
残留阻值: Residual resistance	Term.1~2: Less than 10Ω Term.2~3: Less than 30Ω
抵抗变化特性: Resistance Tape	A,B,C,D etc+
定格电力: (W) Ratings Power	Linear Taper B: 0.25W other Tapers: 0.125w
最高使用电压: Max. operation voltage	DC20V
连动误差: Gang error	-40dB~0dB ±3dB
绝缘抵抗: Insulation Resistance	More than 100mΩ at DC 250V
耐电压: Voltage proof	1minute at AC 300V
滑动寿命: Sliding Life	More than 50,000 cycles Min
滑动力矩: Operating Force	10~30gf
滑动止动强度: Lever stopper strength	10Kgf.cm
滑动柄晃强度: Lever wobble	2(2 x L)/25mm Max (L: Lever length both sides)
推柄推拉强度: Level Push-pull strength	5.0Kgf. Min at 10 sec
滑动杂音: Slider noise	未滿47mv less than 47mv
中心定力: Click slip-out force	Operating force+20~200gf.cm
Slide Travel	100mm