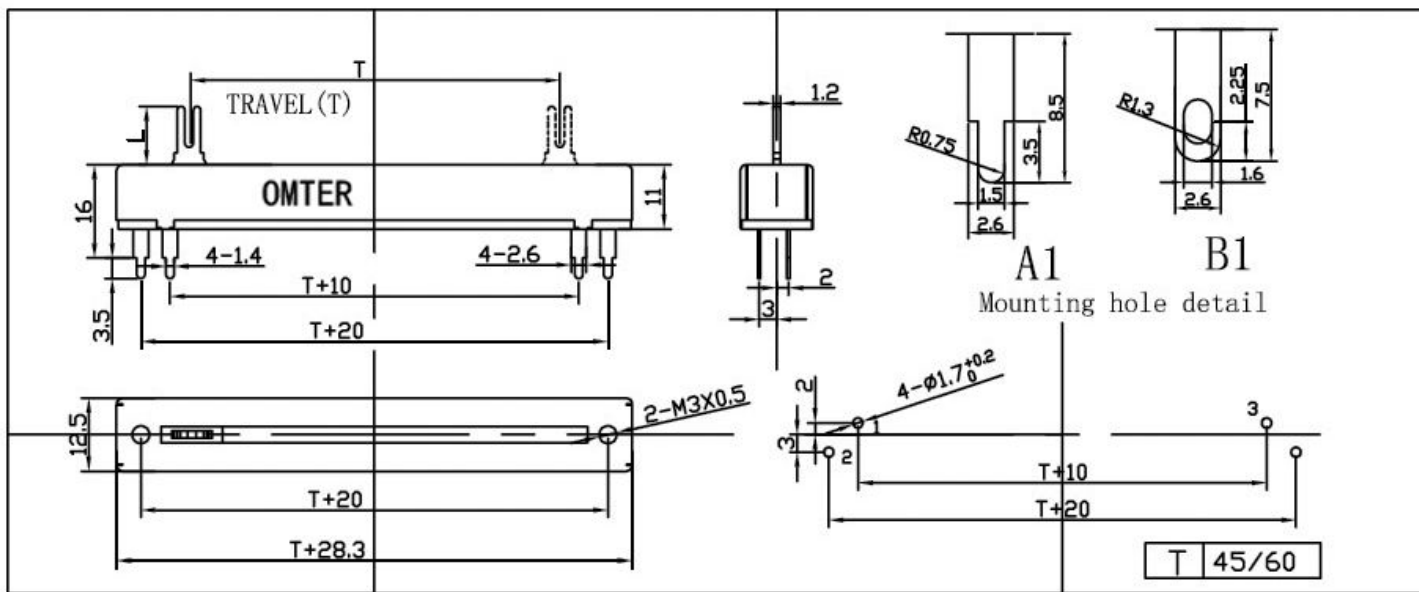
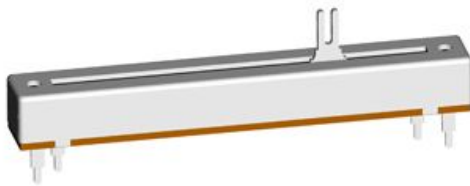


C4523N-A1

C6023N-A1



参数特性 General Specification:

全阻抗值: Total Resistance	1K Ω ~ 1M Ω
全阻抗值容许差: Total Resistance tolerance	$\pm 20\%$ (More than 500k Ω $\pm 30\%$)
残留阻值: Residual resistance	R < 10K Ω , 10 Ω
	10K Ω \leq R \leq 100K Ω , 20 Ω
	100K Ω < R \leq 500 K Ω , 1-2T: 30 Ω , 2-3T: 50 Ω
	500K Ω < R \leq 1 M Ω , 1-2T: 30 Ω , 2-3T: 50 Ω
抵抗变化特性: Resistance Tape	A, B, C, D,
定格电力: (W) Ratings Power	Single unit, B curve, 0.5W;
	except B, 0.25W
	Dual unit, B curve, 0.25W ;
滑动杂音: Slider noise	Less than 47mV
绝缘抵抗: Insulation Resistance	More than 100m Ω at DC 500V
	1minute at AC 500V
耐电压: Voltage proof	
滑动寿命: Sliding Life	More than 15,000 cycles Min
滑动力矩: Operating Force	20 ~ 200gf.cm
滑动止动强度: Lever stopper strength	5Kgf
把柄之偏心: Lever deviation	0.5Max (one side)
中心定位力: Click slip-out force	30 ~ 250gf.cm
推柄推拉强度: Level Push-pull strength	5Kgf.cm Max at 5 sec
最高使用电压: Max. operation voltage	Linear taper B, AC500V
	Other tapers AC350V