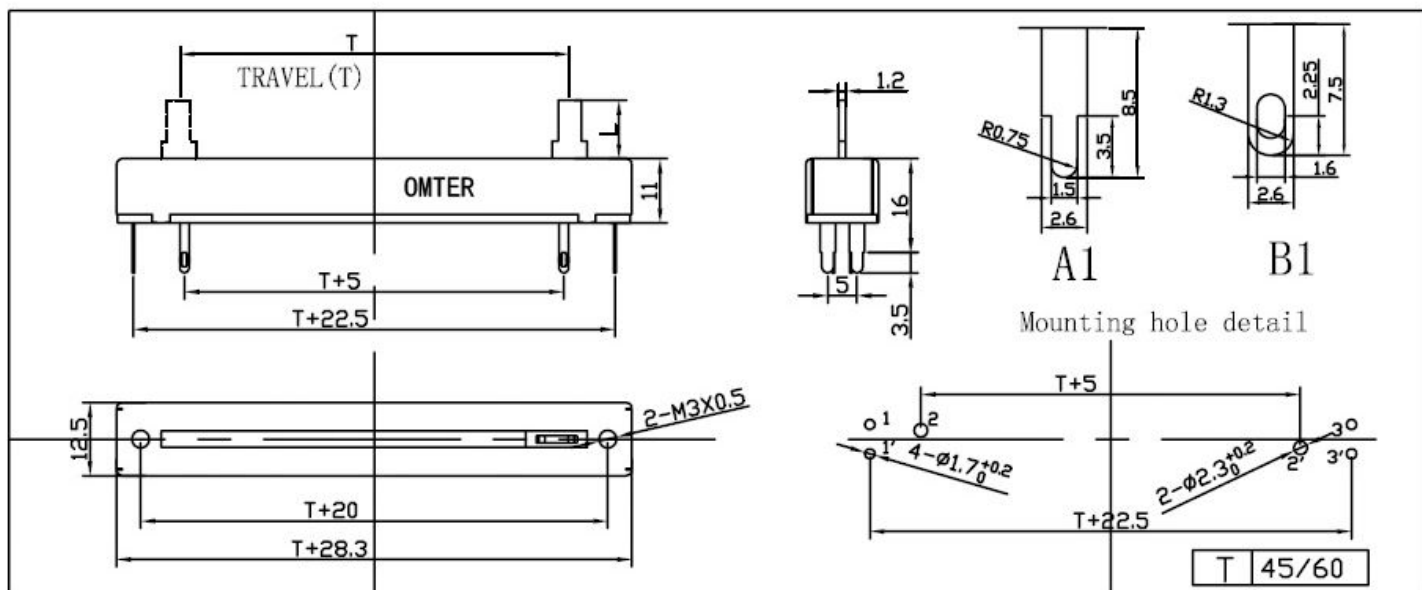
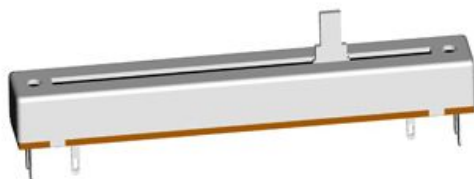


C4523G-A1

C6023G-A1



参数特性General Specification:

全阻抗值: Total Resistance	1KΩ~1MΩ
全阻抗值容许差: Total Resistance tolerance	±20% (More than 500kΩ ±30%)
残留阻值: Residual resistance	R<10KΩ, 10Ω
	10KΩ≤R≤100KΩ, 20Ω
	100KΩ<R≤500KΩ, 1-2T:30Ω, 2-3T:50Ω
	500KΩ<R≤1MΩ, 1-2T:30Ω, 2-3T:50Ω
抵抗变化特性: Resistance Tape	A, B, C, D,
定格电力: (W) Ratings Power	Single unit, B curve, 0.5W;
	except B, 0.25W
	Dual unit, B curve, 0.25W;
滑动杂音:Slider noise	Less than 47mV
绝缘抵抗:Insulation Resistance	More than 100mΩ at DC 500V
	1minute at AC 500V
耐电压:Voltage proof	
滑动寿命:Sliding Life	More than 15,000 cycles Min
滑动力矩:Operating Force	20~200gf.cm
滑动止动强度:Lever stopper strength	5Kgf
把柄之偏心:Lever deviation	0.5Max(one side)
中心定位力:Click slip-out force	30~250gf.cm
推柄推拉强度:Level Push-pull strength	5Kgf.cm Max at 5 sec
最高使用电压:Max. operation voltage	Linear taper B, AC500V
	Other tapers AC350V