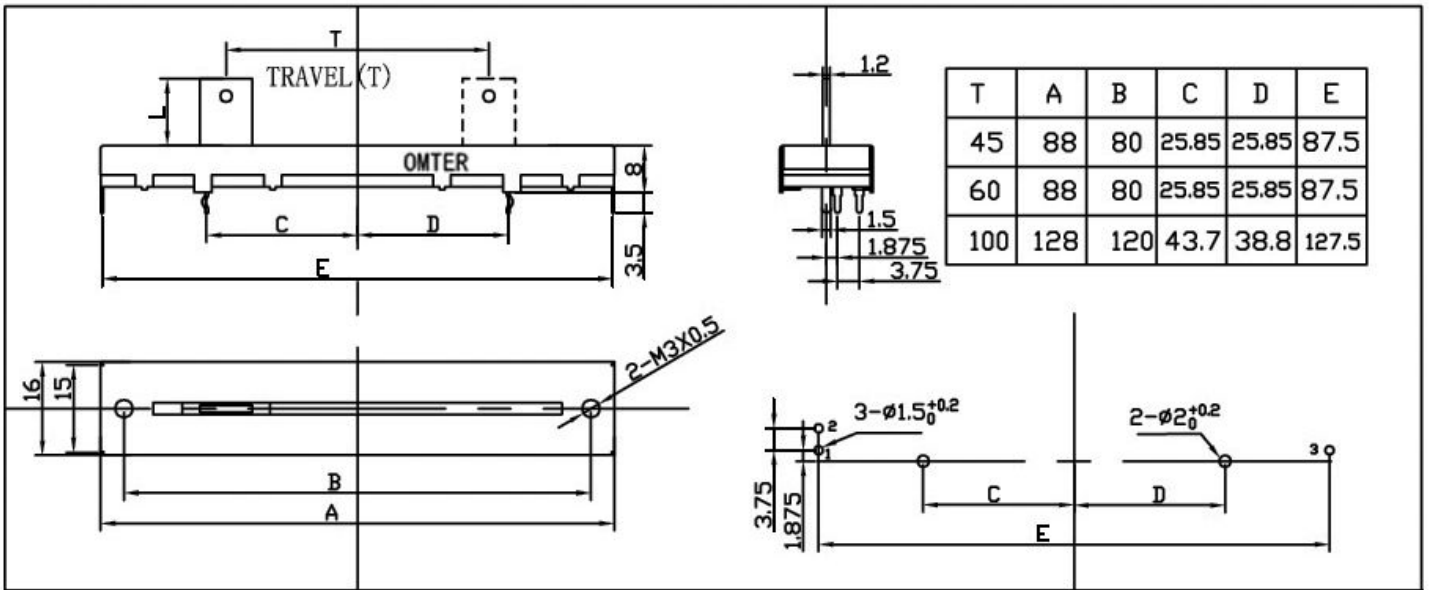
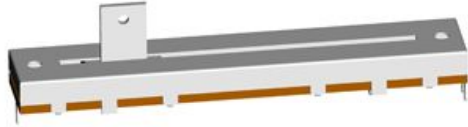


C4591N-A1

C6091N-A1

C0091N-A1



参数特性General Specification:

全阻抗值: Total Resistance	1KΩ ~ 1MΩ
全阻抗值容许差: Total Resistance tolerance	±20%(More than 500kΩ ±30%)
残留阻值: Residual resistance	Less than 10Ω between terminal 1 & 2
	Less than 10Ω between terminal 2 & 3
抵抗变化特性: Resistance Tape	A, B, C, D, W
定格电力: (W) Ratings Power	Single unit, B curve, 0.5W; except B, 0.25W
	Dual unit, B curve, 0.25W; except B, 0.125W
滑动杂音:Slider noise	Less than 47mV
绝缘抵抗:Insulation Resistance	More than 100mΩ at DC 500V
耐电压:Voltage proof	1minute at AC 500V
滑动寿命:Sliding Life	More than 10,000 cycles Min
滑动力矩:Operating Force	15~100gf.cm
滑动止动强度:Lever stopper strength	3Kgf
把柄之偏心:Lever deviation	0.5Max(one side)
最高使用电压:Max. operation voltage	Linear taper B, AC500V
	Other tapers AC350V