

## OMC70SW会议摄像机通信分配器

OMC70sw Conference camera communication distributor



OMC-76 会议键盘

OMC-76 conference keyboard



OMC70SW通信分配器

OMC70SW communication distributor

前面板 front panel



拨码开关

DIP switch

批示灯

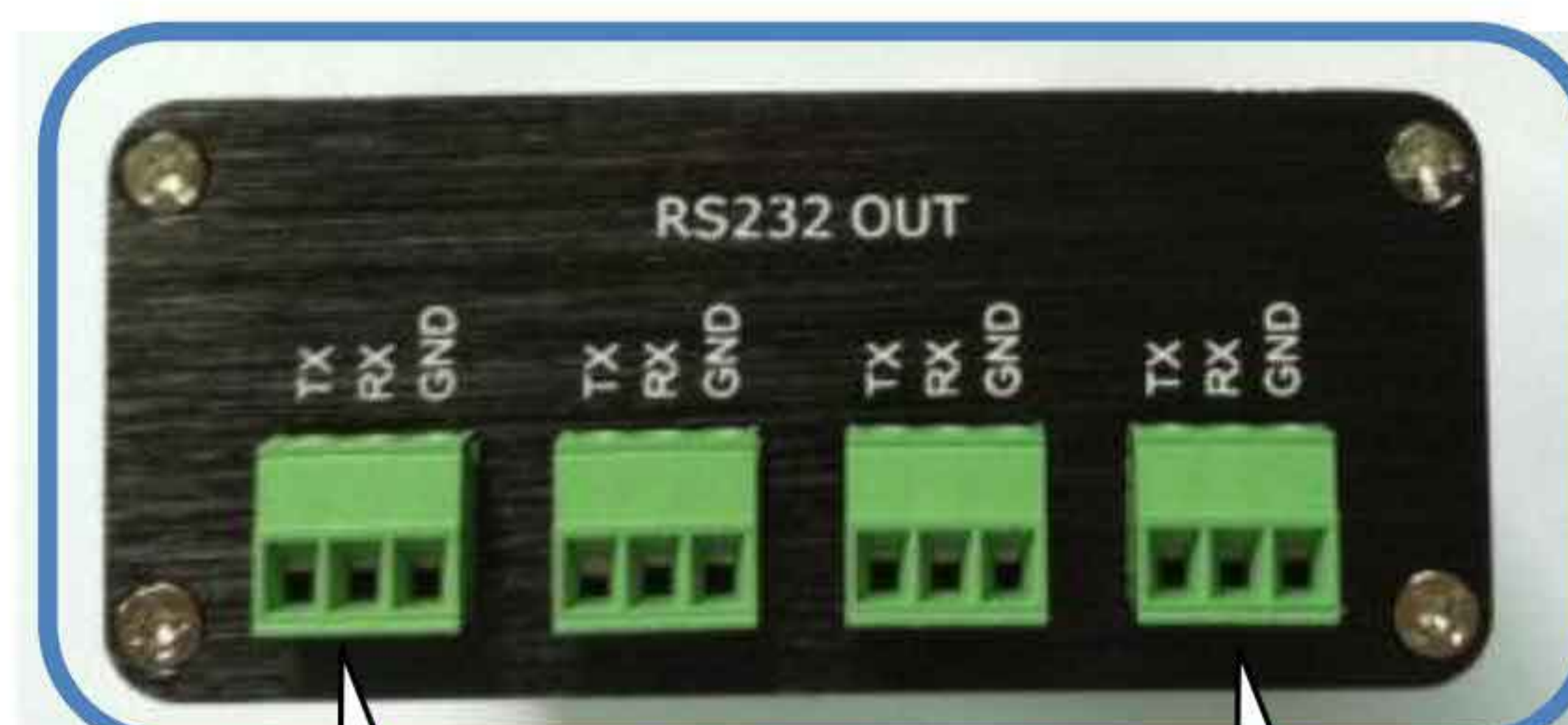
indicator light

电源 power

RS232 输入 RS232 input

接键盘 RS232 connect keyboard RS232

后面板 back panel



摄像机 4

camera 4

摄像机 1

camera 1

### 主要参数:

- ◆ 电源:DC9V/500Ma
- ◆ 外观:黑色
- ◆ 外形尺寸:(L) 120x(W) 88x(H) 38
- ◆ 波特率 9600

### Main characteristic

- Supply power: DC9V/500Ma
- Appearance: black
- Shape dimension: (L) 120x(W) 88x(H) 38
- Baud rate: 9600

### 特点:

- ◆ 串口分配, 1路分4路
- ◆ 协议转换
- ◆ 多品牌的摄像机混合使用

### feature

- Serial port distribution, 1 way to 4way
- Protocol conversion
- Mixed use of multi brand cameras

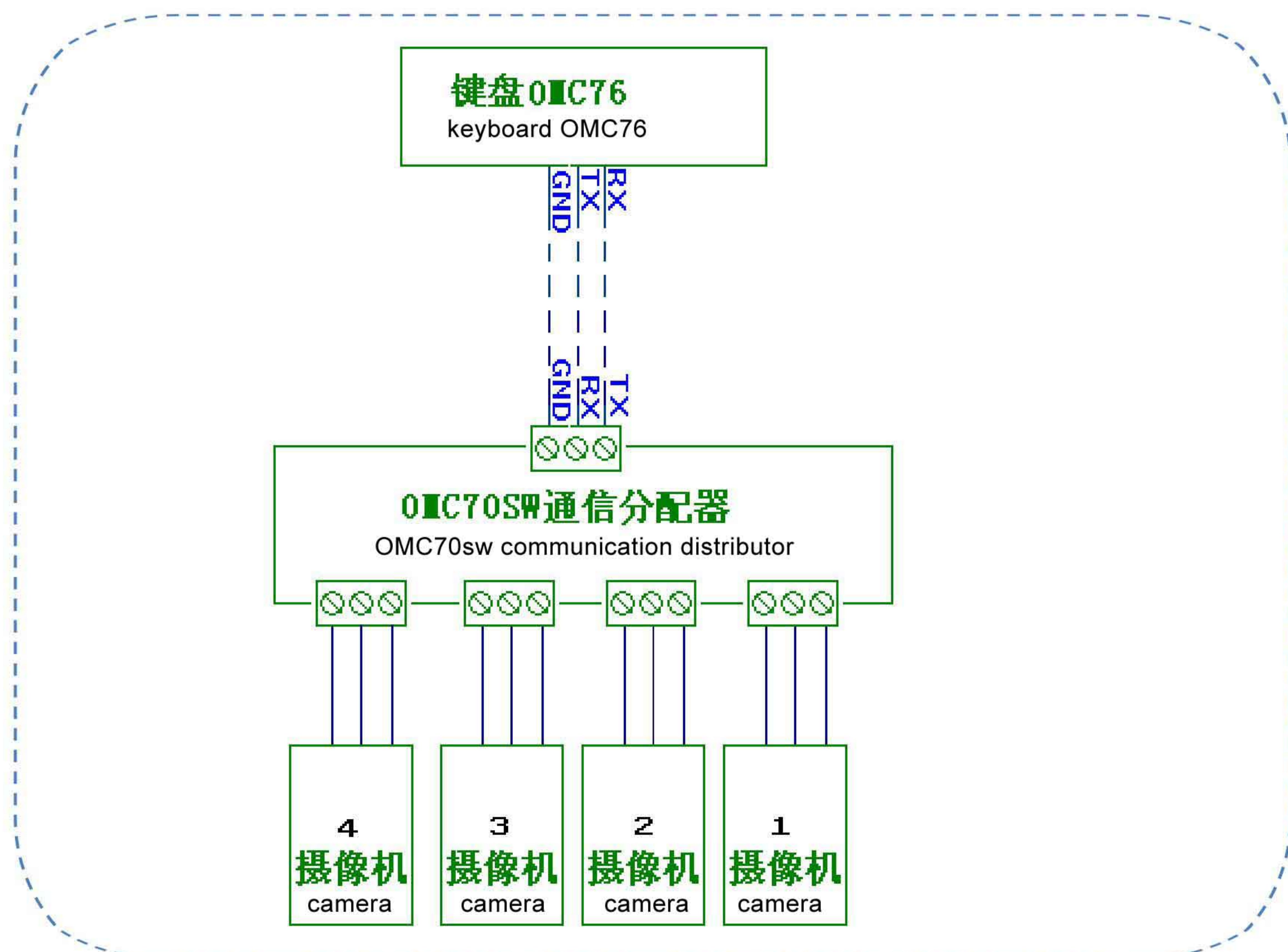
### 一、主要功能介绍: Main function introduction

1. 串口扩展: 1个RS232扩展成4个RS232, 双向数据传输;  
Serial port extended: 1 RS232 extend 4 RS232, Bidirectional data transmission
2. 可以多个并联, 每个通信分配器都有地址设置, 最多可设置16个地址, 最多可控制4X16=64个摄像机;  
Can be multiple parallel connections. every communication distributor have address setting, Max set 16 units address, Max control 4\*16=64 unit camera
3. 支持: SONY Visca协议、POLYCOM、CISCO等协议;  
Support: SONY visca protocol, POLYCOM, CISCO protocol
4. VISCA协议地址自动转换, 由于VISCA协议自动分配地址, 所以转换器可以自动把地址转成1发送给摄像机。  
VISCA protocol address automatically convert, because VISCA protocol can automatically assign addresses, converter can automatically transform 1 to camera

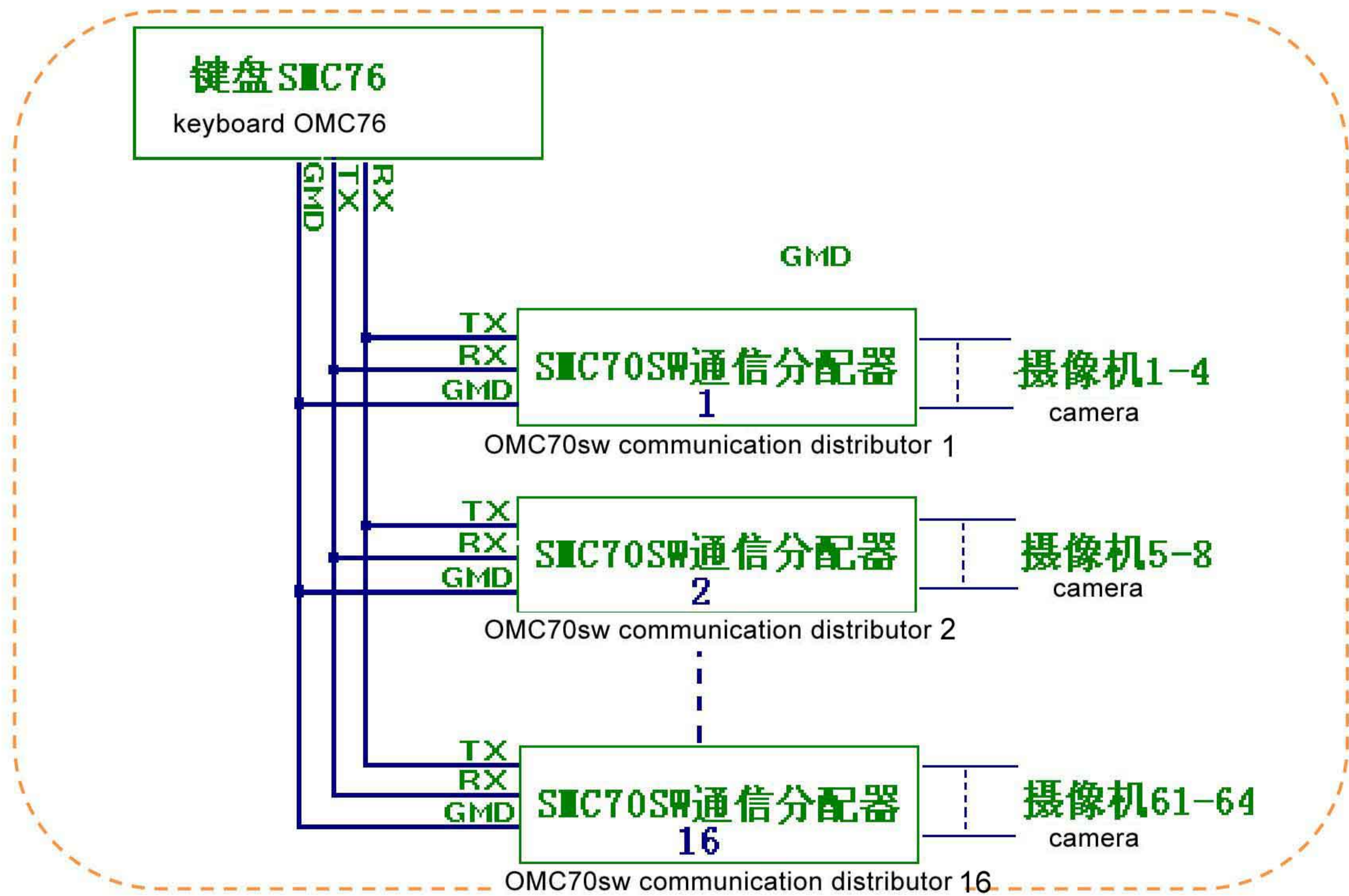
### 二、平面布置图 Plane layout



### 三、应用方案一 (1-4台摄像机) Application 1 (1-4 unit camera)

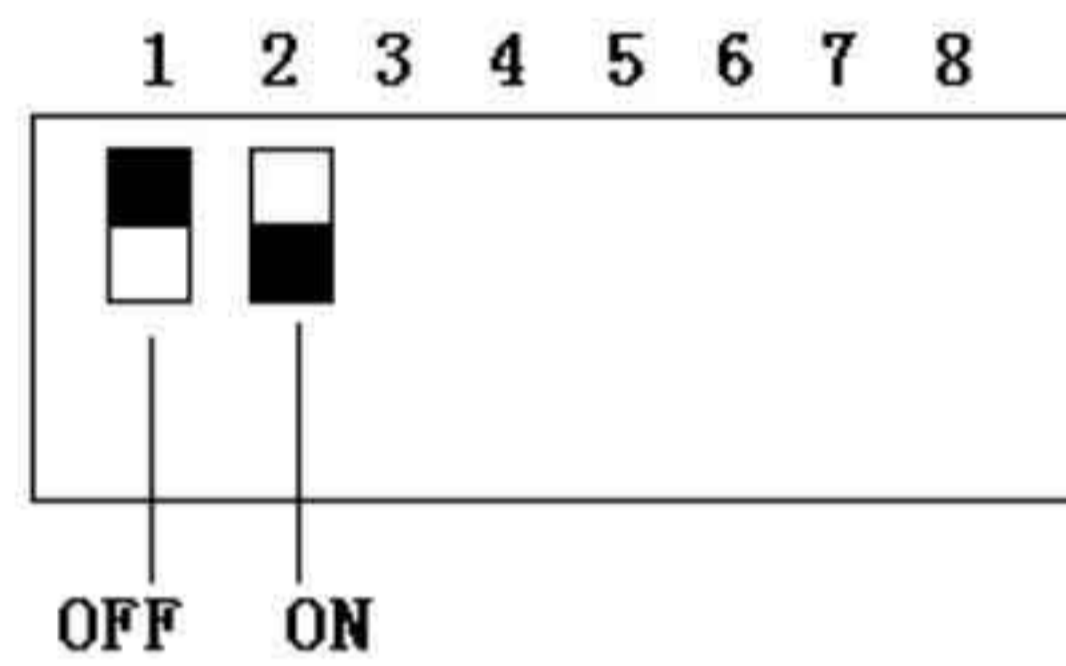


四、应用方案二（4个以上） Application 2 (more than 4 pcs)



五、拨码开关设置

DIP switch



协议设置 protocol setting					地址设置 address setting				
协议 protocol	SW1	SW2	SW3	SW4	地址 address	SW5	SW6	SW7	SW8
自动 AUTO automatic	oFF	oFF	oFF	oFF	0				
索尼 VISCA sony	oFF	oFF	oFF	ON	1				ON
Cisco	oFF	oFF	ON	oFF	2			ON	
Polycom	oFF	oFF	ON	ON	3			ON	ON
					4		ON		
					5		ON		ON
					6		ON	ON	
					7		ON	ON	ON
					8	ON			
					9	ON			ON
					10	ON		ON	
					11	ON		ON	ON
					12	ON	ON		
					13	ON	ON		ON
					14	ON	ON	ON	
					15	ON	ON	ON	ON

注：地址中, 未填写的表格, 为 OFF

Note : In the address, no filled form is OFF



## 六、通信分配器的地址码: Communication distributor address code

例如: For example:

接 4 个摄像机: connect 4 cameras:

用 1 个通信分配器, 地址为 0; With 1 communication distributor, the address is 0

接 8 个摄像机, connect 8 cameras

用 2 个通信分配器, 第 1 个通信分配器, 地址为 0, 接 1-4 号摄像机

With 2 communication distributor, the first communication distributor, the address is 0, connect 1-4 camera

第 2 个通信分配器, 地址为 1, 接 5-8 号摄像机

the second communication distributor, the address is 1, connect ,5-8 camera

两个通信分配器输入端并联, 参考后面的接线图

2 communication distributor Input in parallel, refer to the following wiring diagram

## 七、协议设置: protocol setting

四个端口接的摄像机是同样的, 比如都是 SONY VISCA 的摄像机, 可以选 VISCA 协议

4pcs terminal connect camera is same, like all are SONY VISCA camera, can choose VISCA protocol

四个端口是不同品牌的摄像机, 比如, 1 号是 SONY, 2 号是 POLYCOM, 3 号是 CISCO 的...

那么协议要选“自动”, 此时的设置, 是在键盘中的菜单中设置;

4pcs terminal connect camera is not same, like No.1 are SONY, No.2 are POLYCOM, No.3 are CISCO, so protocol choose "automatic", the setting in this time is setting of menu in keyboard

## 八、键盘的协议下载到通信分配器:

download keyboard protocol to the communication distributor

1. 在键盘的菜单中设置好各个摄像机的协议和波特率, 波特率=9600, 其它波

特率通信分配器不支持, 校验码不用设置, 内部自动生成;

1.Set the protocol and baud rate of each camera in the menu of the keyboard, baud rate =90600, communication distributor dont support other baud rate, check code no set, internal automatic generation

2. 连接好键盘与通信分配器之间连接线

2.Connect the cable between the keyboard and communication distributor

3. 1111+CAM, 成功后, 键盘显示“Save Set OK”, 否则显示“Setup error”

3,1111+CAM, successfully, keyboard shown "save set OK" otherwise shown :setup error :

通信分配器会永远记意这个设置, 以后更改地址时, 也不用重新设置, 除非键盘的协议设置有更改。

Communication distributor will always remember this setting, do not reset when changing the address, unless the keyboard protocol settings have changed

2012 年 5 月